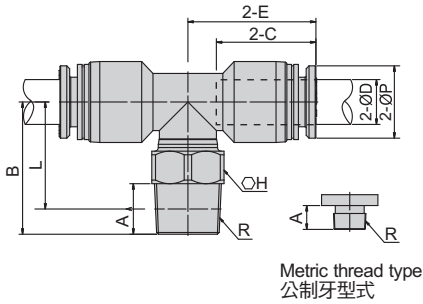


標準接頭 (黑) Tube Fitting (Black)

PB

T型
Tee

\$P02 3D CAD 2D CAD 單位(Unit): m/m

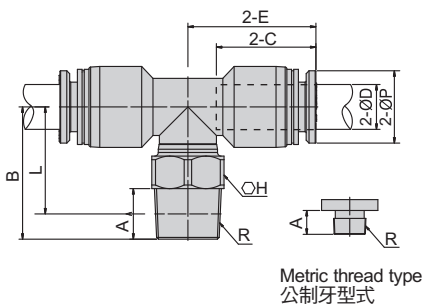


Model 型式	Tube dia. ØD 管外徑	E	C	ØP	A	R	H	B	L	Mass(g) 重量	Orifice 流量孔徑
PB4-M3	4	15.8	14.2	8	3	M3X0.5	8	15.2	13.7	3.2	1.1
PB4-M5					4.8	M5X0.8	8	15.7	13.6	4.8	2
PB4-M6					4	M6X1.0	10	16.2	14.2	4.4	2.5
PB4-01					7	PT1/8	10	17.4	13.1	7.6	4.2
PB4-02					9.6	PT1/4	14	20	15	16.4	4.2
PB4-03					9.6	PT3/8	17	20	15	19.5	4.2
PB6-M5	6	17.7	13.8	10	4.8	M5X0.8	8	17	15.5	6.6	2
PB6-M6					4	M6X1.0	10	17.5	15.5	5.3	2.5
PB6-01					7	PT1/8	10	18.3	14.6	9.6	4
PB6-02					9.6	PT1/4	14	21.6	17	18.4	4
PB6-03	9.6	PT3/8	17	21.7	17	21.6	4				
PB8-01	8	23.2	14.7	13.6	7	PT1/8	10	21.5	18	13.6	5.4
PB8-02					7	PT1/4	10	21.8	18.6	19.8	5.4
PB8-03					9.6	PT3/8	14	22.3	17.2	24.6	5.4
PB8-04					9.6	PT1/2	17	22.7	18.1	38	5.4
PB10-01	10	26.8	16	16.7	9.6	PT1/8	15	22.9	20.7	23.8	5
PB10-02					9.6	PT1/4	15	24.7	19.2	25.4	5
PB10-03					9.6	PT3/8	17	24.7	19.3	30.4	5
PB10-04					9.6	PT1/2	21	27	19.6	42	5
PB12-02	12	29.9	19.5	19.6	9.6	PT1/4	15	27.4	21.3	34	8
PB12-03					9.6	PT3/8	17	27.4	21.4	36	8
PB12-04					12	PT1/2	21	29.4	23.1	47.2	8

PB
NI

T型
Tee

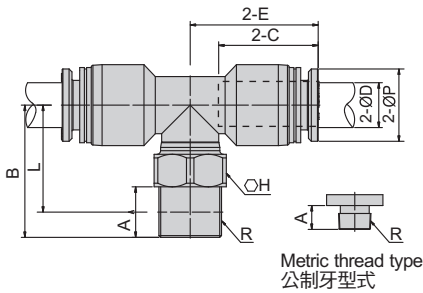
\$P02 3D CAD 2D CAD 單位(Unit): m/m



Model 型式	Tube dia. ØD 管外徑	E	C	ØP	A	R	H	B	L	Mass(g) 重量	Orifice 流量孔徑
PB3-M3-NI	3	15.4	12.7	8	3	M3X0.5	8	15.2	13.7	3.3	1.1
PB3-M5-NI					3.3	M5X0.8	8	15.5	13.8	3.3	2
PB3-M6-NI					4	M6X1.0	10	16.2	14.2	5.2	2
PB4-M3-NI	4	15.7	14.1	8	3	M3X0.5	8	15.2	14.2	3.2	1.1
PB4-M5-NI					4.8	M5X0.8	8	15.7	13.6	4.6	2
PB4-M6-NI					4	M6X1.0	10	16.2	13.7	4.4	2.5
PB4-01-NI					7	PT1/8	10	17.4	13.1	8.5	4.2
PB4-02-NI					9.6	PT1/4	14	20	15	17.3	4.2
PB4-03-NI					9.6	PT3/8	17	20	15	19.5	4.2
PB6-M5-NI	6	17.5	13.7	10	4.8	M5X0.8	8	17	15.5	6.6	2
PB6-M6-NI					4	M6X1.0	10	17.5	15.5	5.3	2.5
PB6-01-NI					7	PT1/8	10	18.3	14.6	10.4	4
PB6-02-NI					9.6	PT1/4	14	21.6	17	19.2	4
PB6-03-NI	9.6	PT3/8	17	21.7	17	20.6	4				
PB8-01-NI	8	23.1	14.6	13.6	7	PT1/8	10	21.5	18	13.1	5.4
PB8-02-NI					7	PT1/4	10	21.8	18.6	15.9	5.4
PB8-03-NI					9.6	PT3/8	14	22.3	17.2	22.1	5.4
PB8-04-NI					9.6	PT1/2	17	22.7	18.1	26.9	5.4
PB10-01-NI	10	26.6	15.7	16.7	9.6	PT1/8	15	22.9	20.7	23.5	5
PB10-02-NI					9.6	PT1/4	15	24.7	19.2	34.2	5
PB10-03-NI					9.6	PT3/8	17	24.7	19.3	45.8	5
PB10-04-NI					9.6	PT1/2	21	27	19.6	45.8	5
PB12-02-NI	12	29.8	19.3	19.6	9.6	PT1/4	15	27.4	21.3	42	8
PB12-03-NI					9.6	PT3/8	17	27.4	21.4	43.4	8
PB12-04-NI					12	PT1/2	21	29.4	23.1	54.6	8

PB T型 Tee
G

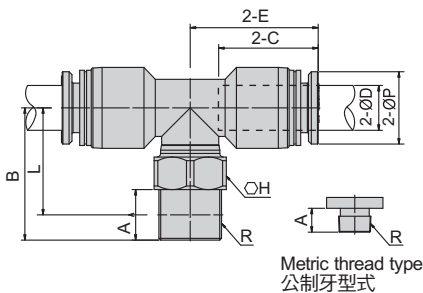
\$PO2 3D CAD 2D CAD 單位(Unit): m/m



Model 型式	Tube dia. 管外徑	E	C	ØP	A	R	H	B	L	Mass(g) 重量	Orifice 流量孔徑				
PB4-M3	4	15.8	14.2	8	3	M3X0.5	8	15.2	13.7	3.2	1.1				
PB4-M5					4.8	M5X0.8	8	15.7	13.6	4.8	2				
PB4-M6					4	M6X1.0	10	16.2	14.2	4.4	2.5				
PB4-01G		15.9	13.2		7.5	G1/8	10	17.5	13.7	7.6	4.2				
PB4-02G					8.5	G1/4	14	19	14.7	15.2	4.2				
PB4-03G					8.5	G3/8	17	20.4	19.4	18.4	4.2				
PB6-M5	6	17.7	13.8	10	4.8	M5X0.8	8	17	15.5	6.6	2				
PB6-M6					4	M6X1.0	10	17.5	15.5	5.3	2.5				
PB6-01G					7.5	G1/8	10	18.8	15	9.6	4				
PB6-02G					8.5	G1/4	14	20.4	18.2	17.2	4				
PB6-03G					8.5	G3/8	17	20.8	17.9	20.4	4				
PB8-01G					8	23.2	14.7	13.6	7.5	G1/8	10	22	18.7	12.4	5.4
PB8-02G	8.5	G1/4	14	21					18.4	18.6	5.4				
PB8-03G	8.5	G3/8	17	21.8					19.7	21.2	5.4				
PB8-04G	10	G1/2	21	23.6					20	34.4	5.4				
PB10-02G	10	26.2	20.9	16.7					8.5	G1/4	15	23.9	20.5	24.4	5
PB10-03G									8.5	G3/8	17	23.8	20.4	29	5
PB10-04G					10	G1/2	21	25.1	20.1	39	5				
PB12-03G	12	29.9	19.45	19.6	8.5	G3/8	17	25.6	22.5	36.4	8				
PB12-04G					10	G1/2	21	27	23	44.2	8				

PB T型 Tee
G+NI

\$PO2 3D CAD 2D CAD 單位(Unit): m/m



Model 型式	Tube dia. 管外徑	E	C	ØP	A	R	H	B	L	Mass(g) 重量	Orifice 流量孔徑				
PB3-M3-NI	3	15.4	12.7	8	3	M3X0.5	8	15.2	13.7	3.3	1.1				
PB3-M5-NI					3.3	M5X0.8	8	15.5	13.8	3.3	2				
PB3-M6-NI					4	M6X1.0	10	16.2	14.2	5.2	2				
PB4-M3-NI	4	15.7	14.1	8	3	M3X0.5	8	15.2	14.2	3.2	1.1				
PB4-M5-NI					4.8	M5X0.8	8	15.7	13.6	4.6	2				
PB4-M6-NI					4	M6X1.0	10	16.2	13.7	4.4	2.5				
PB4-01G-NI		15.6	12.9		7.5	G1/8	10	17.5	13.7	8.5	4.2				
PB4-02G-NI					8.5	G1/4	14	19	14.7	16.1	4.2				
PB4-03G-NI					8.5	G3/8	17	20.4	19.4	17.8	4.2				
PB6-M5-NI	6	17.4	13.7	10	4.8	M5X0.8	8	15.5	17	6.6	2				
PB6-M6-NI					4	M6X1.0	10	17.5	15.5	5.3	2.5				
PB6-01G-NI					7.5	G1/8	10	18.8	15	10.4	4				
PB6-02G-NI					8.5	G1/4	14	20.4	18.2	19.5	4				
PB6-03G-NI					8.5	G3/8	17	20.8	17.9	21.2	4				
PB8-01G-NI					8	23.1	14.6	13.6	7.5	G1/8	10	22	18.7	14.7	5.4
PB8-02G-NI	8.5	G1/4	14	21					18.4	14.7	5.4				
PB8-03G-NI	8.5	G3/8	17	21.8					19.7	20.9	5.4				
PB8-04G-NI	10	G1/2	21	23.6					20	23.5	5.4				
PB10-02G-NI	10	26.1	20.8	16.7					8.5	G1/4	15	23.9	20.5	28.2	5
PB10-03G-NI									8.5	G3/8	17	23.8	20.4	32.8	5
PB10-04G-NI					10	G1/2	21	23.6	20	42.8	5				
PB12-03G-NI	12	29.8	19.3	19.6	8.5	G3/8	17	25.6	22.5	43.8	8				
PB12-04G-NI					10	G1/2	21	27	23	51.6	8				

備註 Note G: 管用直牙 (PF直牙) G: BSPP Thread
NI: 金屬脫離環 NI: Release Ring (Metallic Body)

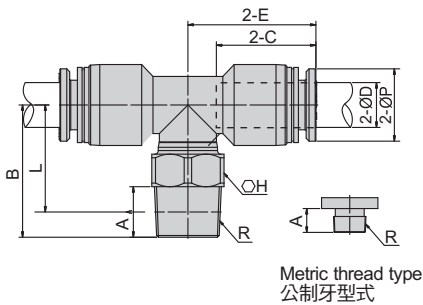
標準接頭 (白) Tube Fitting (Ivory)

PB

T型
Tee



單位(Unit): m/m



Metric thread type
公制牙型式

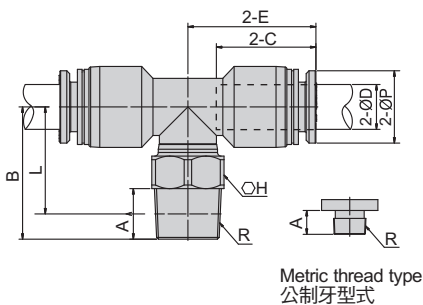
Model 型式	Tube dia. ØD 管外徑	E	C	ØP	A	R	H	B	L	Mass(g) 重量	Orifice 流量孔徑
PB4-M3-W	4	15.8	14.2	8	3	M3X0.5	8	15.2	13.7	3.2	1.1
PB4-M5-W					4.8	M5X0.8	8	15.7	13.6	4.8	2
PB4-M6-W					4	M6X1.0	10	16.2	14.2	4.4	2.5
PB4-01-W					7	PT1/8	10	17.4	13.1	7.6	4.2
PB4-02-W					9.6	PT1/4	14	20	15	16.4	4.2
PB4-03-W					9.6	PT3/8	17	20	15	19.5	4.2
PB6-M5-W	6	17.7	13.8	10	4.8	M5X0.8	8	17	15.5	6.6	2
PB6-M6-W					4	M6X1.0	10	17.5	15.5	5.3	2.5
PB6-01-W					7	PT1/8	10	18.3	14.6	9.6	4
PB6-02-W					9.6	PT1/4	14	21.6	17	18.4	4
PB6-03-W					9.6	PT3/8	17	21.7	17	21.6	4
PB8-01-W	8	23.2	14.7	13.6	7	PT1/8	10	21.5	18	13.6	5.4
PB8-02-W					7	PT1/4	10	21.8	18.6	19.8	5.4
PB8-03-W					9.6	PT3/8	14	22.3	17.2	24.6	5.4
PB8-04-W					9.6	PT1/2	17	22.7	18.1	38	5.4
PB10-01-W	10	26.8	16	16.7	9.6	PT1/8	15	22.9	20.7	23.8	5
PB10-02-W					9.6	PT1/4	15	24.7	19.2	25.4	5
PB10-03-W					9.6	PT3/8	17	24.7	19.3	30.4	5
PB10-04-W					9.6	PT1/2	21	27	19.6	42	5
PB12-02-W	12	29.9	19.5	19.6	9.6	PT1/4	15	27.4	21.3	34	8
PB12-03-W					9.6	PT3/8	17	27.4	21.4	36	8
PB12-04-W					12	PT1/2	21	29.4	23.1	47.2	8

PB
NI

T型
Tee



單位(Unit): m/m



Metric thread type
公制牙型式

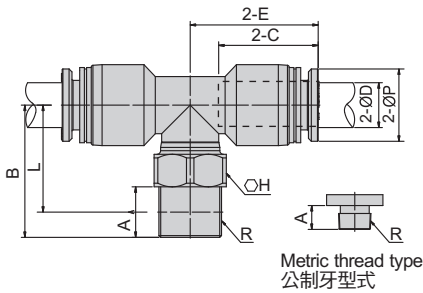
Model 型式	Tube dia. ØD 管外徑	E	C	ØP	A	R	H	B	L	Mass(g) 重量	Orifice 流量孔徑
PB3-M3-NI-W	3	15.4	12.7	8	3	M3X0.5	8	15.2	13.7	3.3	1.1
PB3-M5-NI-W					3.3	M5X0.8	8	15.5	13.8	3.3	2
PB3-M6-NI-W					4	M6X1.0	10	16.2	14.2	5.2	2
PB4-M3-NI-W	4	15.7	14.1	8	3	M3X0.5	8	15.2	14.2	3.2	1.1
PB4-M5-NI-W					4.8	M5X0.8	8	15.7	13.6	4.6	2
PB4-M6-NI-W					4	M6X1.0	10	16.2	13.7	4.4	2.5
PB4-01-NI-W					7	PT1/8	10	17.4	13.1	8.5	4.2
PB4-02-NI-W					9.6	PT1/4	14	20	15	17.3	4.2
PB4-03-NI-W					9.6	PT3/8	17	20	15	19.5	4.2
PB6-M5-NI-W	6	17.5	13.7	10	4.8	M5X0.8	8	17	15.5	6.6	2
PB6-M6-NI-W					4	M6X1.0	10	17.5	15.5	5.3	2.5
PB6-01-NI-W					7	PT1/8	10	18.3	14.6	10.4	4
PB6-02-NI-W					9.6	PT1/4	14	21.6	17	19.2	4
PB6-03-NI-W					9.6	PT3/8	17	21.7	17	20.6	4
PB8-01-NI-W	8	23.1	14.6	13.6	7	PT1/8	10	21.5	18	13.1	5.4
PB8-02-NI-W					7	PT1/4	10	21.8	18.6	15.9	5.4
PB8-03-NI-W					9.6	PT3/8	14	22.3	17.2	22.1	5.4
PB8-04-NI-W					9.6	PT1/2	17	22.7	18.1	26.9	5.4
PB10-01-NI-W	10	26.6	15.7	16.7	9.6	PT1/8	15	22.9	20.7	23.5	5
PB10-02-NI-W					9.6	PT1/4	15	24.7	19.2	34.2	5
PB10-03-NI-W					9.6	PT3/8	17	24.7	19.3	45.8	5
PB10-04-NI-W					9.6	PT1/2	21	27	19.6	45.8	5
PB12-02-NI-W	12	29.8	19.3	19.6	9.6	PT1/4	15	27.4	21.3	42	8
PB12-03-NI-W					9.6	PT3/8	17	27.4	21.4	43.4	8
PB12-04-NI-W					12	PT1/2	21	29.4	23.1	54.6	8

備註 Note NI: 金屬脫離環

NI: Release Ring (Metallic Body)

PB
G Tee

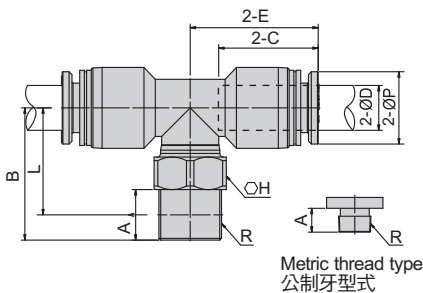
\$ P.05 3D CAD 2D CAD 單位(Unit): m/m



Model 型式	Tube dia. ØD 管外徑	E	C	ØP	A	R	H	B	L	Mass(g) 重量	Orifice 流量孔徑
PB4-M3-W	4	15.8	14.2	8	3	M3X0.5	8	15.2	13.7	3.2	1.1
PB4-M5-W					4.8	M5X0.8	8	15.7	13.6	4.8	2
PB4-M6-W		4	M6X1.0		10	16.2	14.2	4.4	2.5		
PB4-01G-W		15.9	13.2		7.5	G1/8	10	17.5	13.7	7.6	4.2
PB4-02G-W					8.5	G1/4	14	19	14.7	15.2	4.2
PB4-03G-W				8.5	G3/8	17	20.4	19.4	18.4	4.2	
PB6-M5-W	6	17.7	13.8	10	4.8	M5X0.8	8	17	15.5	6.6	2
PB6-M6-W					4	M6X1.0	10	17.5	15.5	5.3	2.5
PB6-01G-W					7.5	G1/8	10	18.8	15	9.6	4
PB6-02G-W					8.5	G1/4	14	20.4	18.2	17.2	4
PB6-03G-W					8.5	G3/8	17	20.8	17.9	20.4	4
PB8-01G-W	8	23.2	14.7	13.6	7.5	G1/8	10	22	18.7	12.4	5.4
PB8-02G-W					8.5	G1/4	14	21	18.4	18.6	5.4
PB8-03G-W					8.5	G3/8	17	21.8	19.7	21.2	5.4
PB8-04G-W					10	G1/2	21	23.6	20	34.4	5.4
PB10-02G-W	10	26.2	20.9	16.7	8.5	G1/4	15	23.9	20.5	24.4	5
PB10-03G-W					8.5	G3/8	17	23.8	20.4	29	5
PB10-04G-W					10	G1/2	21	25.1	20.1	39	5
PB12-03G-W	12	29.9	19.45	19.6	8.5	G3/8	17	25.6	22.5	36.4	8
PB12-04G-W					10	G1/2	21	27	23	44.2	8

PB
G+NI Tee

\$ P.05 3D CAD 2D CAD 單位(Unit): m/m



Model 型式	Tube dia. ØD 管外徑	E	C	ØP	A	R	H	B	L	Mass(g) 重量	Orifice 流量孔徑
PB3-M3-NI-W	3	15.4	12.7	8	3	M3X0.5	8	15.2	13.7	3.3	1.1
PB3-M5-NI-W					3.3	M5X0.8	8	15.5	13.8	3.3	2
PB3-M6-NI-W					4	M6X1.0	10	16.2	14.2	5.2	2
PB4-M3-NI-W	4	15.7	14.1	8	3	M3X0.5	8	15.2	14.2	3.2	1.1
PB4-M5-NI-W					4.8	M5X0.8	8	15.7	13.6	4.6	2
PB4-M6-NI-W		4	M6X1.0		10	16.2	13.7	4.4	2.5		
PB4-01G-NI-W		15.6	12.9		7.5	G1/8	10	17.5	13.7	8.5	4.2
PB4-02G-NI-W					8.5	G1/4	14	19	14.7	16.1	4.2
PB4-03G-NI-W				8.5	G3/8	17	20.4	19.4	17.8	4.2	
PB6-M5-NI-W	6	17.4	13.7	10	4.8	M5X0.8	8	15.5	17	6.6	2
PB6-M6-NI-W					4	M6X1.0	10	17.5	15.5	5.3	2.5
PB6-01G-NI-W					7.5	G1/8	10	18.8	15	10.4	4
PB6-02G-NI-W					8.5	G1/4	14	20.4	18.2	19.5	4
PB6-03G-NI-W					8.5	G3/8	17	20.8	17.9	21.2	4
PB8-01G-NI-W	8	23.1	14.6	13.6	7.5	G1/8	10	22	18.7	14.7	5.4
PB8-02G-NI-W					8.5	G1/4	14	21	18.4	14.7	5.4
PB8-03G-NI-W					8.5	G3/8	17	21.8	19.7	20.9	5.4
PB8-04G-NI-W					10	G1/2	21	23.6	20	23.5	5.4
PB10-02G-NI-W	10	26.1	20.8	16.7	8.5	G1/4	15	23.9	20.5	28.2	5
PB10-03G-NI-W					8.5	G3/8	17	23.8	20.4	32.8	5
PB10-04G-NI-W					10	G1/2	21	23.6	20	42.8	5
PB12-03G-NI-W	12	29.8	19.3	19.6	8.5	G3/8	17	25.6	22.5	43.8	8
PB12-04G-NI-W					10	G1/2	21	27	23	51.6	8

備註 Note G: 管用直牙 (PF直牙) G: BSPP Thread NI: 金屬脫離環 NI: Release Ring (Metallic Body)