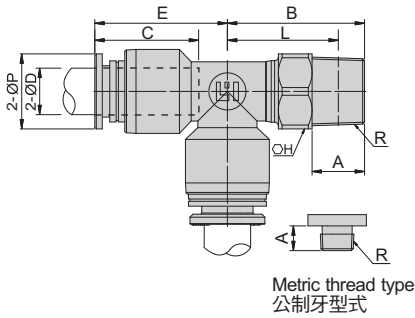


標準接頭 (黑) Tube Fitting (Black)

PD

歧管T型
Branch Tee

\$P02 3D CAD 2D CAD 單位(Unit): m/m

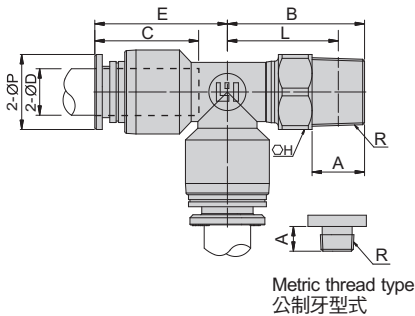


Model 型式	Tube dia. ØD 管外徑	E	C	ØP	A	R	H	B	L	Mass(g) 重量	Orifice 流量孔徑
PD4-M3	4	15.9	13.2	8	4	M3X0.5	8	16.2	14.2	3.2	1.1
PD4-M5					3.3	M5X0.8	8	15.5	13.8	4.8	2
PD4-M6					4	M6X1.0	10	16.2	14.2	4.5	2.5
PD4-01					7	PT1/8	10	17.2	13.7	7.6	4
PD4-02					9.6	PT1/4	14	20.2	15.2	16.6	4
PD4-03					9.6	PT3/8	17	20.2	15.2	19.6	4
PD6-M5	6	18.1	9.8	10	4.8	M5X0.8	8	16.5	15.7	6.6	2
PD6-M6			13.9		4	M6X1.0	10	17.5	15.5	5.5	2.5
PD6-01			7		PT1/8	10	18.4	14.4	9.6	4	
PD6-02			9.6		PT1/4	14	21.7	16.9	18.2	4	
PD6-03			9.6		PT3/8	17	21.2	16.8	22	4	
PD8-01	8	23.3	15.6	13.6	7	PT1/8	10	21.4	17.5	14	5
PD8-02					9.6	PT1/4	14	22.2	16.5	20	5.4
PD8-03					9.6	PT3/8	17	22.1	17.9	24.8	5.4
PD8-04					7	PT1/2	21	22.2	17.8	38.6	5.4
PD10-01	10	26.6	17.5	16.7	7	PT1/8	15	24.7	19.5	24.4	5
PD10-02			9.6		PT1/4	15	24.5	19.6	25.8	8	
PD10-03			12		PT3/8	17	27.5	21.3	30.8	9.76	
PD10-04			12.5		PT1/2	21	27.5	21.1	42	9.76	
PD12-02	12	31.4	23.5	19.6	9.6	PT1/4	15	26.5	21.3	31.6	5
PD12-03					9.6	PT3/8	17	26.5	21.5	36.6	6.5
PD12-04					12	PT1/2	21	26.5	21.7	47.8	6.5

PD
NI

歧管T型
Branch Tee

\$P03 3D CAD 2D CAD 單位(Unit): m/m



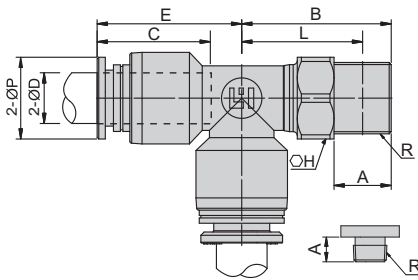
Model 型式	Tube dia. ØD 管外徑	E	C	ØP	A	R	H	B	L	Mass(g) 重量	Orifice 流量孔徑
PD3-M3-NI	3	15.4	12.7	8	3	M3X0.5	8	15.2	13.7	3.6	1.1
PD3-M5-NI					3.3	M5X0.8	8	15.5	13.8	3.6	2
PD3-M6-NI					4	M6X1.0	10	16.2	14.2	5.4	2
PD4-M3-NI	4	15.3	12.8	8	4	M3X0.5	8	16.2	14.2	4.1	1.1
PD4-M5-NI					3.3	M5X0.8	8	15.5	13.7	5.7	2
PD4-M6-NI					4	M6X1.0	10	16.2	14.2	5.4	2.5
PD4-01-NI					7	PT1/8	10	17.2	13.7	8.5	4
PD4-02-NI					9.6	PT1/4	14	20.2	15.2	17.5	4
PD4-03-NI					9.6	PT3/8	17	20.2	15.2	20.5	4
PD6-M5-NI	6	17.6	9.36	10	4.8	M5X0.8	8	16.5	15.7	7.4	2
PD6-M6-NI			13.5		4	M6X1.0	10	17.5	15.5	6.3	2.5
PD6-01-NI			7		PT1/8	10	18.4	14.4	10.4	4	
PD6-02-NI			9.6		PT1/4	14	21.7	16.9	19	4	
PD6-03-NI	9.6	PT3/8	17	21.2	16.8	22.8	4				
PD8-01-NI	8	22.8	15.2	13.6	7	PT1/8	10	21.4	17.5	16.3	5
PD8-02-NI					9.6	PT1/4	14	22.2	16.5	22.3	5.4
PD8-03-NI					9.6	PT3/8	17	22.1	17.9	27.1	5.4
PD8-04-NI	26.1	17.1	7	PT1/2	21	22.2	17.8	40.9	5.4		
PD10-01-NI	10	26.1	17.1	16.7	7	PT1/8	15	24.7	19.5	28.2	5
PD10-02-NI			9.6		PT1/4	15	24.5	19.6	29.6	8	
PD10-03-NI			12		PT3/8	17	27.5	21.3	34.6	9.76	
PD10-04-NI			12.5		PT1/2	21	27.5	21.1	45.8	9.76	
PD12-02-NI	12	29.9	22	19.6	9.6	PT1/4	15	26.5	21.3	39	5
PD12-03-NI					9.6	PT3/8	17	26.5	21.5	44	6.5
PD12-04-NI					12	PT1/2	21	26.5	21.7	55.2	6.5

備註 Note NI: 金屬脫離環

NI: Release Ring (Metallic Body)

PD
G 歧管T型
Branch Tee

\$P03 3D CAD 2D CAD 單位(Unit): m/m

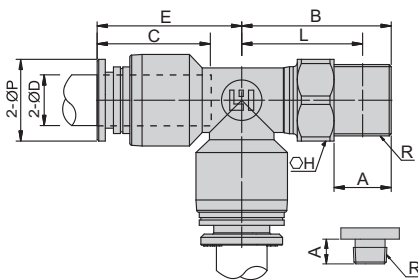


Metric thread type
公制牙型式

Model 型式	Tube dia. 管外徑	E	C	ØP	A	R	H	B	L	Mass(g) 重量	Orifice 流量孔徑
PD4-M3	4	15.7	12.7	8	4	M3X0.5	8	16.2	14.2	3.2	1.1
PD4-M5					3.3	M5X0.8	8	15.5	13.8	4.8	2
PD4-M6					4	M6X1.0	10	16.2	14.2	4.5	2.5
PD4-01G					4	G1/8	10	17.7	15.7	7.6	4
PD4-02G					5	G1/4	14	19.1	16.4	15.4	4
PD4-03G					5	G3/8	17	19.1	16.4	18.4	4
PD6-M5	6	18.1	9.76	10	4.8	M5X0.8	8	16.5	15.7	6.6	2
PD6-M6			13.9		4	M6X1.0	10	17.5	15.5	5.5	2.5
PD6-01G			4		G1/8	10	18.9	16.4	9.6	4	
PD6-02G			5		G1/4	14	20.5	18.1	17	4	
PD6-03G			5		G3/8	17	20.1	18	20.8	4	
PD8-01G			8		23.3	15.6	13.6	4	G1/8	10	21.9
PD8-02G	5	G1/4		14				21.1	17.7	18.8	5.4
PD8-03G	5	G3/8		17				21	19.1	23.6	5.4
PD8-04G	10	G1/2		21				23.5	18.5	35.2	5.4
PD10-02G	10	26.8	17.5	16.7	5	G1/4	14	23.4	18.1	25	8
PD10-03G			20.7		7.2	G3/8	17	25.5	21.6	31.2	9.76
PD10-04G			10		G1/2	21	25.1	20.1	39	9.76	
PD12-02G	12	31.4	23.5	19.6	10	G1/4	14	26.9	21.9	30.8	5
PD12-03G					8.5	G3/8	17	25.5	21.3	35.2	6.5
PD12-04G					10	G1/2	21	26.9	21.9	44.8	6.5

PD
G+NI 歧管T型
Branch Tee

\$P03 3D CAD 2D CAD 單位(Unit): m/m



Metric thread type
公制牙型式

Model 型式	Tube dia. 管外徑	E	C	ØP	A	R	H	B	L	Mass(g) 重量	Orifice 流量孔徑
PD3-M3-NI	3	15.4	12.7	8	3	M3X0.5	8	15.2	13.7	3.6	1.1
PD3-M5-NI					3.3	M5X0.8	8	15.5	13.8	3.6	2
PD3-M6-NI					4	M6X1.0	10	16.2	14.2	5.4	2
PD4-M3-NI	4	15.3	12.3	8	4	M3X0.5	8	16.2	14.2	4.1	1.1
PD4-M5-NI					3.3	M5X0.8	8	15.5	13.7	5.7	2
PD4-M6-NI					4	M6X1.0	10	16.2	14.2	5.4	2.5
PD4-01G-NI					4	G1/8	10	17.7	15.7	8.5	4
PD4-02G-NI					5	G1/4	14	19.1	16.4	16.3	4
PD4-03G-NI					4	G3/8	17	19.1	16.4	20.1	4
PD6-M5-NI	6	17.7	9.36	10	4.8	M5X0.8	8	16.5	15.7	7.4	2
PD6-M6-NI			13.5		4	M6X1.0	10	17.5	15.5	6.3	2.5
PD6-01G-NI			4		G1/8	10	18.9	16.4	10.4	4	
PD6-02G-NI			5		G1/4	14	20.5	18.1	17.8	4	
PD6-03G-NI			5		G3/8	17	20.1	18	21.6	4	
PD8-01G-NI			8		22.6	15.2	13.6	4	G1/8	10	21.9
PD8-02G-NI	5	G1/4		14		21.1		17.7	21.1	5.4	
PD8-03G-NI	5	G3/8		17		21		19.1	25.9	5.4	
PD8-04G-NI	10	G1/2		21		23.5		18.5	37.5	5.4	
PD10-02G-NI	10	26.2	17.5	16.7	5	G1/4	17	23.4	18.1	28.8	8
PD10-03G-NI			19.8		7.2	G3/8	21	25.5	21.6	35	9.76
PD10-04G-NI			10		G1/2	21	25.1	20.1	42.8	9.76	
PD12-02G-NI	12	29.9	22	19.6	10	G1/4	14	26.9	21.9	38.2	5
PD12-03G-NI					8.5	G3/8	17	25.5	21.3	42.6	6.5
PD12-04G-NI					10	G1/2	21	26.9	21.9	52.2	6.5

備註 Note G: 管用直牙(PF直牙) G: BSPP Thread
NI: 金屬脫離環 NI: Release Ring (Metallic Body)

標準接頭 (白) Tube Fitting (Ivory)

PD

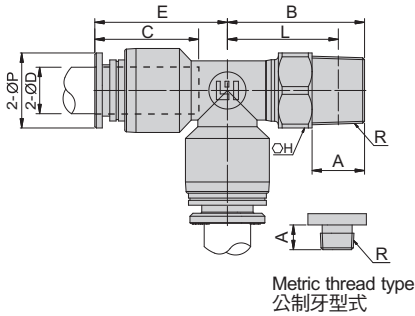
歧管T型
Branch Tee

\$ P.06

3D CAD

2D CAD

單位(Unit): m/m



Model 型式	Tube dia. ØD 管外徑	E	C	ØP	A	R	H	B	L	Mass(g) 重量	Orifice 流量孔徑
PD4-M3-W	4	15.9	13.2	8	4	M3X0.5	8	16.2	14.2	3.2	1.1
PD4-M5-W					3.3	M5X0.8	8	15.5	13.8	4.8	2
PD4-M6-W					4	M6X1.0	10	16.2	14.2	4.5	2.5
PD4-01-W					7	PT1/8	10	17.2	13.7	7.6	4
PD4-02-W					9.6	PT1/4	14	20.2	15.2	16.6	4
PD4-03-W					9.6	PT3/8	17	20.2	15.2	19.6	4
PD6-M5-W	6	18.1	9.8	10	4.8	M5X0.8	8	16.5	15.7	6.6	2
PD6-M6-W			13.9		4	M6X1.0	10	17.5	15.5	5.5	2.5
PD6-01-W			7		PT1/8	10	18.4	14.4	9.6	4	
PD6-02-W			9.6		PT1/4	14	21.7	16.9	18.2	4	
PD6-03-W			9.6		PT3/8	17	21.2	16.8	22	4	
PD8-01-W	8	23.3	15.6	13.6	7	PT1/8	10	21.4	17.5	14	5
PD8-02-W					9.6	PT1/4	14	22.2	16.5	20	5.4
PD8-03-W					9.6	PT3/8	17	22.1	17.9	24.8	5.4
PD8-04-W					7	PT1/2	21	22.2	17.8	38.6	5.4
PD10-01-W	10	26.6	17.5	16.7	7	PT1/8	15	24.7	19.5	24.4	5
PD10-02-W			9.6		PT1/4	15	24.5	19.6	25.8	8	
PD10-03-W			12		PT3/8	17	27.5	21.3	30.8	9.8	
PD10-04-W			12.5		PT1/2	21	27.5	21.1	42	9.8	
PD12-02-W	12	31.4	23.5	19.6	9.6	PT1/4	15	26.5	21.3	31.6	5
PD12-03-W					9.6	PT3/8	17	26.5	21.5	36.6	6.5
PD12-04-W					12	PT1/2	21	26.5	21.7	47.8	6.5

PD
NI

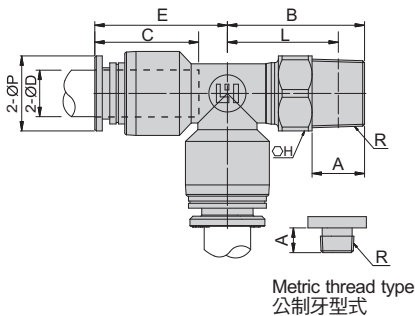
歧管T型
Branch Tee

\$ P.06

3D CAD

2D CAD

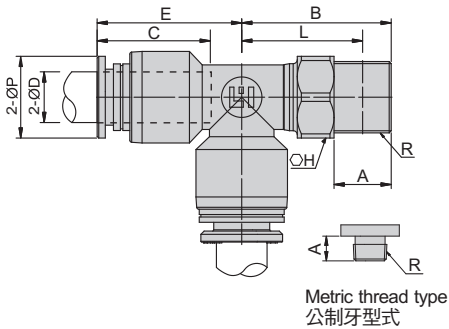
單位(Unit): m/m



Model 型式	Tube dia. ØD 管外徑	E	C	ØP	A	R	H	B	L	Mass(g) 重量	Orifice 流量孔徑
PD3-M3-NI-W	3	15.4	12.7	8	3	M3X0.5	8	15.2	13.7	3.6	1.1
PD3-M5-NI-W					3.3	M5X0.8	8	15.5	13.8	3.6	2
PD3-M6-NI-W					4	M6X1.0	10	16.2	14.2	5.4	2
PD4-M3-NI-W	4	15.3	12.8	8	4	M3X0.5	8	16.2	14.2	4.1	1.1
PD4-M5-NI-W					3.3	M5X0.8	8	15.5	13.7	5.7	2
PD4-M6-NI-W					4	M6X1.0	10	16.2	14.2	5.4	2.5
PD4-01-NI-W					7	PT1/8	10	17.2	13.7	8.5	4
PD4-02-NI-W					9.6	PT1/4	14	20.2	15.2	17.5	4
PD4-03-NI-W					9.6	PT3/8	17	20.2	15.2	20.5	4
PD6-M5-NI-W	6	17.6	9.4	10	4.8	M5X0.8	8	16.5	15.7	7.4	2
PD6-M6-NI-W			13.5		4	M6X1.0	10	17.5	15.5	6.3	2.5
PD6-01-NI-W			7		PT1/8	10	18.4	14.4	10.4	4	
PD6-02-NI-W			9.6		PT1/4	14	21.7	16.9	19	4	
PD6-03-NI-W			9.6		PT3/8	17	21.2	16.8	22.8	4	
PD8-01-NI-W	8	22.8	15.2	13.6	7	PT1/8	10	21.4	17.5	16.3	5
PD8-02-NI-W					9.6	PT1/4	14	22.2	16.5	22.3	5.4
PD8-03-NI-W					9.6	PT3/8	17	22.1	17.9	27.1	5.4
PD8-04-NI-W					7	PT1/2	21	22.2	17.8	40.9	5.4
PD10-01-NI-W	10	26.1	17.1	16.7	7	PT1/8	15	24.7	19.5	28.2	5
PD10-02-NI-W			9.6		PT1/4	15	24.5	19.6	29.6	8	
PD10-03-NI-W			12		PT3/8	17	27.5	21.3	34.6	9.8	
PD10-04-NI-W			12.5		PT1/2	21	27.5	21.1	45.8	9.8	
PD12-02-NI-W	12	29.9	22	19.6	9.6	PT1/4	15	26.5	21.3	39	5
PD12-03-NI-W					9.6	PT3/8	17	26.5	21.5	44	6.5
PD12-04-NI-W					12	PT1/2	21	26.5	21.7	55.2	6.5

PD 歧管T型
G Branch Tee

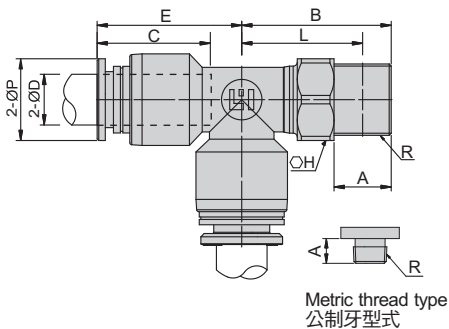
POG 3D CAD 2D CAD 單位(Unit): m/m



Model 型式	Tube dia. ØD 管外徑	E	C	ØP	A	R	H	B	L	Mass(g) 重量	Orifice 流量孔徑
PD4-M3-W	4	15.4	12.7	8	4	M3x0.5	8	16.2	14.2	3.2	1.1
PD4-M5-W		15.9	13.2		3.3	M5x0.8	8	15.5	13.8	4.8	2
PD4-M6-W		15.9	13.2		4	M6x1.0	10	16.2	14.2	4.5	2.5
PD4-01G-W		15.7	12.7		4	G1/8	10	17.2	15.7	7.6	4
PD4-02G-W					5	G1/4	14	20.2	16.4	15.4	4
PD4-03G-W					5	G3/8	17	20.2	16.4	18.4	4
PD6-M5-W	6	18.1	9.8	10	4.8	M5x0.8	8	16.5	15.7	6.6	2
PD6-M6-W		17.7	13.9		4	M6x1.0	10	17.5	15.5	5.5	2.5
PD6-01G-W		18.1	14.3		4	G1/8	10	18.4	16.4	9.6	4
PD6-02G-W					5	G1/4	14	21.7	18.1	17	4
PD6-03G-W					5	G3/8	17	21.2	18	20.8	4
PD8-01G-W		8	23.3		15.6	13	4	G1/8	10	21.4	19.5
PD8-02G-W	5			G1/4			10	22.2	17.7	18.8	5.4
PD8-03G-W	5			G3/8			14	22.1	19.1	23.6	5.4
PD8-04G-W	10			G1/2			17	22.2	18.5	35.2	5.4
PD10-02G-W	10	26.6	17.5	16	5	G1/4	15	24.5	18.1	25	8
PD10-03G-W					7.2	G3/8	17	27.5	21.6	31.2	9.8
PD10-04G-W					10	G1/2	21	27.5	20.1	39	9.8
PD12-02G-W	12	31.4	23.5	19	10	G1/4	15	26.5	21.9	30.8	5
PD12-03G-W					8.5	G3/8	17	26.5	21.3	35.2	6.5
PD12-04G-W					10	G1/2	21	26.5	21.9	44.8	6.5

PD 歧管T型
G+NI Branch Tee

POG 3D CAD 2D CAD 單位(Unit): m/m



Model 型式	Tube dia. ØD 管外徑	E	C	ØP	A	R	H	B	L	Mass(g) 重量	Orifice 流量孔徑		
PD3-M3-NI-W	3	15.4	12.7	8	3	M3x0.5	8	15.2	13.7	3.6	1.1		
PD3-M5-NI-W					3.3	M5x0.8	8	15.5	13.8	3.6	2		
PD3-M6-NI-W					4	M6x1.0	10	16.2	14.2	5.4	2		
PD4-M3-NI-W	4	15.4	12.7	8	4	M3x0.5	8	16.2	14.2	4.1	1.1		
PD4-M5-NI-W					3.3	M5x0.8	8	15.5	13.7	5.7	2		
PD4-M6-NI-W					4	M6x1.0	10	16.2	14.2	5.4	2.5		
PD4-01G-NI-W					15.3	12.3	4	G1/8	10	17.7	15.7	8.5	4
PD4-02G-NI-W							5	G1/4	14	19.1	16.4	16.3	4
PD4-03G-NI-W							5	G3/8	17	16.4	16.4	20.1	4
PD6-M5-NI-W	6	17.6	9.36	10	4.8	M5x0.8	8	16.5	15.7	7.4	2		
PD6-M6-NI-W					4	M6x1.0	10	17.5	15.5	6.3	2.5		
PD6-01G-NI-W					17.7	13.9	4	G1/8	10	18.9	16.4	10.4	4
PD6-02G-NI-W							5	G1/4	14	20.5	18.1	17.8	4
PD6-03G-NI-W							5	G3/8	17	20.1	18	21.6	4
PD8-01G-NI-W					8	22.9	15.2	13.6	4	G1/8	10	21.9	19.5
PD8-02G-NI-W	5	G1/4	10	21.1					17.7	21.1	5.4		
PD8-03G-NI-W	5	G3/8	14	21					19.1	25.9	5.4		
PD8-04G-NI-W	10	G1/2	17	23.5					18.5	37.5	5.4		
PD10-02G-NI-W	10	26.2	17.5	16.7	5	G1/4	15	23.4	18.1	28.8	8		
PD10-03G-NI-W					7.2	G3/8	17	25.5	21.6	35	9.8		
PD10-04G-NI-W					10	G1/2	21	25.1	20.1	42.8	9.8		
PD12-02G-NI-W	12	29.9	22	19.6	10	G1/4	15	26.9	21.9	38.2	5		
PD12-03G-NI-W					8.5	G3/8	17	25.5	21.3	42.6	6.5		
PD12-04G-NI-W					10	G1/2	21	26.9	21.9	55.2	6.5		

備註 Note G: 管用直牙 (PF直牙) G: BSPP Thread
NI: 金屬脫離環 NI: Release Ring (Metallic Body)