

標準接頭 (黑) Tube Fitting (Black)

PL

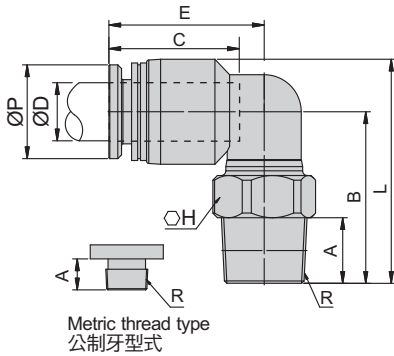
彎頭型
Elbow

\$ P01

3D
CAD

2D
CAD

單位(Unit): m/m



Model 型式	Tube dia. ØD 管外徑	A	B	L	ØP	C	E	H	R	Mass(g) 重量	Orifice 流量孔徑
PL4-M3	4	3	13.6	17	8	13.7	15.5	8	M3X0.5	3	1.1
PL4-M5		4	13.3	17		13.7	15.5	8	M5X0.8	3.2	2
PL4-M6		4	16.2	20.5		13.7	15.5	10	M6X1.0	4.6	2.5
PL4-01		9.6	20	24		13.7	15.5	10	PT1/8	6.4	4
PL4-02	7	17.2	21			13.7	15.5	14	PT1/4	15.2	4
PL6-M5	6	4	14.1	19	10	13.8	16.2	8	M5X0.8	4	2
PL6-M6		4	15.7	20.6		13.8	16.5	10	M6X1.0	5.4	2.5
PL6-01		7	18.3	23		13.9	16.5	10	PT1/8	7.4	4
PL6-02		9.4	21.1	26		14	15.7	14	PT1/4	16.2	4
PL6-03	9.8	21.2	26			14	16.1	17	PT3/8	19.6	4
PL8-01	8	7	21.5	28	13.6	20.2	22.6	10	PT1/8	9.8	5.4
PL8-02		9.5	22	28.5		20	22.5	14	PT1/4	16	5.4
PL8-03		9.3	22.3	29		20.1	22.5	17	PT3/8	20.6	5.4
PL8-04		11.8	25.2	31.5		20.1	22.3	21	PT1/2	33.8	5.4
PL10-01	10	6.9	23	31	16.7	24.3	27.7	10	PT1/8	17	5
PL10-02		9.6	25.2	33		24.1	27.6	14	PT1/4	18.4	5
PL10-03		9.4	24.9	33		24.2	27.6	17	PT3/8	23.6	5
PL10-04		12	27	35		24.3	27.5	21	PT1/2	34.8	5
PL12-02	12	12	23.2	32.5	19.6	24.7	28.2	14	PT1/4	21.4	5
PL12-03		9.6	26.6	35		24.9	28.9	17	PT3/8	26.6	8
PL12-04		9.6	26	35		25	28.8	21	PT1/2	37.8	8

**PL
NI**

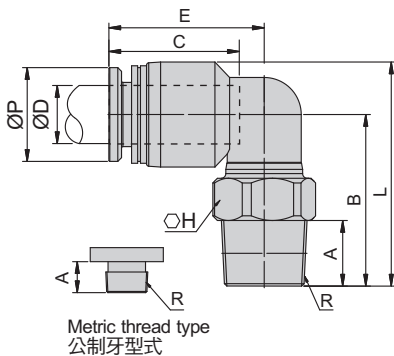
彎頭型
Elbow

\$ P01

3D
CAD

2D
CAD

單位(Unit): m/m



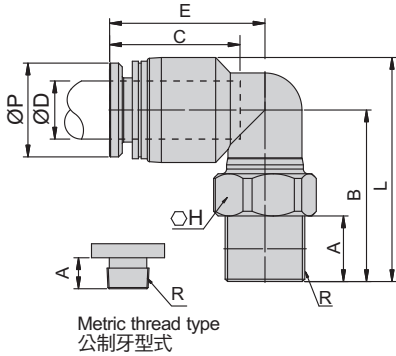
Model 型式	Tube dia. ØD 管外徑	A	B	L	ØP	C	E	H	R	Mass(g) 重量	Orifice 流量孔徑
PL3-M3-NI	3	3	15.2	19.5	7	12.7	15	8	M3X0.5	3.8	1.1
PL3-M5-NI		3.2	13.3	17.2		8	14.5	8	M5X0.8	3.8	2
PL3-M6-NI		4	16.2	20.5		12.7	15	10	M6X1.0	5.6	2
PL4-M3-NI	4	3.5	13.6	17	8	13.6	15	8	M3X0.5	3.9	1.1
PL4-M5-NI		4	13.3	17		13.6	15	8	M5X0.8	4.1	2
PL4-M6-NI		4	16.2	20.5		13.6	15	10	M6X1.0	5	2.5
PL4-01-NI		9.6	20	24		13.6	15	10	PT1/8	7.3	4
PL4-02-NI	7	17.2	21			13.6	15	14	PT1/4	16.1	4
PL6-M5-NI	6	4	14.1	19	10	13.7	15.7	8	M5X0.8	4.8	2
PL6-M6-NI		6.8	15.7	20.6		13.7	15.6	10	M6X1.0	6.2	2.5
PL6-01-NI		7	18.3	23		13.7	15.6	10	PT1/8	8.2	4
PL6-02-NI		9.4	21.1	26		13.9	15.2	14	PT1/4	17	4
PL6-03-NI	9.8	21.2	26			13.9	15.6	17	PT3/8	20.4	4
PL8-01-NI	8	7	21.5	28	13.6	20.1	22.1	10	PT1/8	12.1	5.4
PL8-02-NI		9.5	22	28.5		19.9	22	14	PT1/4	18.3	5.4
PL8-03-NI		9.3	22.3	29		20	22	17	PT3/8	22.9	5.4
PL8-04-NI		11.8	25.2	31.5		20	21.8	21	PT1/2	36.1	5.4
PL10-01-NI	10	6.9	23	31	16.7	24.2	27.2	10	PT1/8	20.8	5
PL10-02-NI		9.6	25.2	33		24	27.1	14	PT1/4	22.2	5
PL10-03-NI		9.4	24.9	33		24.1	27.1	17	PT3/8	27.4	5
PL10-04-NI		12	27	35		24.2	27	21	PT1/2	38.6	5
PL12-02-NI	12	12	23.2	32.5	19.6	24.6	27.7	14	PT1/4	28.8	5
PL12-03-NI		9.6	26.6	35		24.8	28.4	17	PT3/8	34	8
PL12-04-NI		9.6	26	35		24.9	28.3	21	PT1/2	45.2	8
PL16-03-NI		16	9.6	30.8		43.5	23	22.8	31.6	21	PT3/8
PL16-04-NI	12		30.5	43.2	22.8	31.6		21	PT1/2	46.6	11.7

備註 Note NI: 金屬脫離環

NI: Release Ring (Metallic Body)

PL_G 彎頭型 Elbow

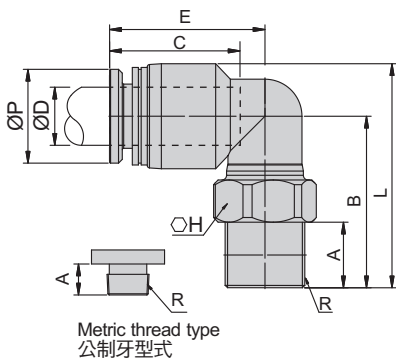
\$P01 3D CAD 2D CAD 單位(Unit): m/m



Model 型式	Tube dia. ØD 管外徑	A	B	L	ØP	C	E	H	R	Mass(g) 重量	Orifice 流量孔徑
PL4-M3	4	3	13.6	17	8	13.7	15.5	8	M3X0.5	3	
PL4-M5		4	13.3	17		13.7	15.5	8	M5X0.8	3.2	
PL4-M6		4	16.2	20.5		13.7	15.5	10	M6X1.0	4.6	
PL4-01G		7.5	17.5	21.8		13.2	15.5	10	G1/8	6.4	
PL4-02G		8.5	19	23.3		13.2	15.5	14	G1/4	14	
PL4-03G		8.5	19.5	23.3		13.2	15.5	17	G3/8	20	
PL6-M5	6	4	14.1	19	10	13.8	16.2	8	M5X0.8	4	
PL6-M6		4	15.7	20.6		13.8	16.5	10	M6X1.0	5.4	
PL6-01G		7.5	18.8	24.4		13.9	16.5	10	G1/8	7.4	
PL6-02G		8.5	20.1	25		13.9	17.2	14	G1/4	6.2	
PL6-03G		8.5	20.2	25		13.9	17.2	17	G3/8	18.4	
PL8-01G	8	7.5	22.1	29	13.6	15.6	23.3	10	G1/8	9.8	
PL8-02G		8.5	20.6	29		15.6	23.3	14	G1/4	14.8	
PL8-03G		8.5	21.3	29		15.6	23.3	17	G3/8	19.4	
PL8-04G		10	23.3	30		15.6	23.3	21	G1/2	30.4	
PL10-02G	10	10	25.1	34.1	16.7	21.3	27.9	14	G1/4	17.6	
PL10-03G		8.5	23.7	32.7		21.3	27.9	17	G3/8	24	
PL10-04G		10	25.1	34.1		21.3	27.9	21	G1/2	31.8	
PL12-02G	12	10	29.7	37.1	19.6	23.5	29.7	14	G1/4	20.6	
PL12-03G		8.5	25.5	35.7		23.5	29.7	17	G3/8	27	
PL12-04G		10	26.9	37.2		23.5	29.7	21	G1/2	34.8	

PL_{G+NI} 彎頭型 Elbow

\$P01 3D CAD 2D CAD 單位(Unit): m/m



Model 型式	Tube dia. ØD 管外徑	A	B	L	ØP	C	E	H	R	Mass(g) 重量	Orifice 流量孔徑
PL3-M3-NI	3	3	15.2	19.5	7	12.7	15	8	M3X0.5	3.8	
PL3-M5-NI		3.2	13.3	17.2		8	14.5	8	M5X0.8	3.8	
PL3-M6-NI		4	16.2	20.5		12.7	15	10	M6X1.0	5.6	
PL4-M3-NI	4	3.5	13.6	17	8	13.6	15	8	M3X0.5	3.9	
PL4-M5-NI		4	13.3	17		13.6	15	8	M5X0.8	4.1	
PL4-M6-NI		4	16.2	20.5		13.6	15	10	M6X1.0	5	
PL4-01G-NI		7.5	17.5	21.8		12.9	15.2	10	G1/8	7.3	
PL4-02G-NI		8.5	19	23.3		12.9	15.2	14	G1/4	14.9	
PL4-03G-NI		8.5	19.5	23.3		12.9	15.2	17	G3/8	20.9	
PL6-M5-NI	6	4	14.1	19	10	13.7	15.7	8	M5X0.8	4.8	
PL6-M6-NI		6.8	15.7	20.6		13.7	15.6	10	M6X1.0	6.2	
PL6-01G-NI		7.5	18.8	24.4		13.8	17.2	10	G1/8	8.2	
PL6-02G-NI		8.5	20.1	25		13.8	17.2	14	G1/4	7	
PL6-03G-NI		8.5	20.2	25		13.8	17.2	17	G3/8	19.2	
PL8-01G-NI	8	7.5	22.1	29	13.6	15.6	23.3	10	G1/8	12.1	
PL8-02G-NI		8.5	20.6	29		15.6	23.3	14	G1/4	17.1	
PL8-03G-NI		8.5	21.3	29		15.6	23.3	17	G3/8	21.7	
PL8-04G-NI		10	23.3	30		15.6	23.3	21	G1/2	32.7	
PL10-02G-NI	10	10	25.1	34.1	16.7	19.8	26.9	14	G1/4	21.4	
PL10-03G-NI		8.5	23.7	32.7		19.8	26.9	17	G3/8	27.8	
PL10-04G-NI		10	25.1	34.1		19.8	26.9	21	G1/2	35.6	
PL12-02G-NI	12	10	29.7	37.1	19.6	22	28.2	14	G1/4	28	
PL12-03G-NI		8.5	25.5	35.7		22	28.2	17	G3/8	34.4	
PL12-04G-NI		10	26.9	37.2		22	28.2	21	G1/2	42.2	

備註 Note G: 管用直牙 (PF直牙) G: BSPP Thread
NI: 金屬脫離環 NI: Release Ring (Metallic Body)

標準接頭 (白) Tube Fitting (Ivory)

PL

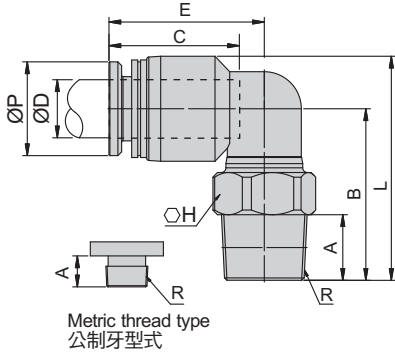
彎頭型
Elbow

\$P04

3D
CAD

2D
CAD

單位(Unit): m/m



Model 型式	Tube dia. 管外徑	A	B	L	ØP	C	E	H	R	Mass(g) 重量	Orifice 流量孔徑
PL4-M3-W	4	3	13.6	17	8	13.7	15.5	15.5	M3x0.5	3	1.1
PL4-M5-W		4	13.3	17		13.7	15.5	15.5	M5x0.8	3.2	2
PL4-M6-W		4	16.2	20.5		13.7	15.5	15.5	M6x1.0	4.6	2.5
PL4-01-W		9.6	20	24		13.7	15.5	15.5	PT1/8	6.4	4
PL4-02-W		7	17.2	21		13.7	15.5	15.5	PT1/4	15.2	4
PL6-M5-W	6	4	14.1	19	10	13.8	16.2	16.2	M5x0.8	4	2
PL6-M6-W		4	15.7	20.6		13.8	16.5	16.5	M6x1.0	5.4	2.5
PL6-01-W		7	18.3	23		13.9	16.5	16.5	PT1/8	7.4	4
PL6-02-W		9.4	21.1	26		14	15.7	15.7	PT1/4	16.2	4
PL6-03-W		9.8	21.2	26		14	16.1	16.1	PT3/8	19.6	4
PL8-01-W	8	7	21.5	28	13.6	20.2	22.6	22.6	PT1/8	9.8	5.4
PL8-02-W		9.5	22	28.5		20	22.5	22.5	PT1/4	16	5.4
PL8-03-W		9.3	22.3	29		20.1	22.5	22.5	PT3/8	20.6	5.4
PL8-04-W		11.8	25.2	31.5		20.1	22.3	22.3	PT1/2	33.8	5.4
PL10-01-W	10	6.9	23	31	16.7	24.3	27.7	27.7	PT1/8	17	5
PL10-02-W		9.6	25.2	33		24.1	27.6	27.6	PT1/4	18.4	5
PL10-03-W		9.4	24.9	33		24.2	27.6	27.6	PT3/8	23.6	5
PL10-04-W		12	27	35		24.3	27.5	27.5	PT1/2	34.8	5
PL12-02-W	12	12	23.2	32.5	19.6	24.7	28.2	28.2	PT1/4	21.4	5
PL12-03-W		9.6	26.6	35		24.9	28.9	28.9	PT3/8	26.6	8
PL12-04-W		9.6	26	35		25	28.8	28.8	PT1/2	37.8	8

PL
NI

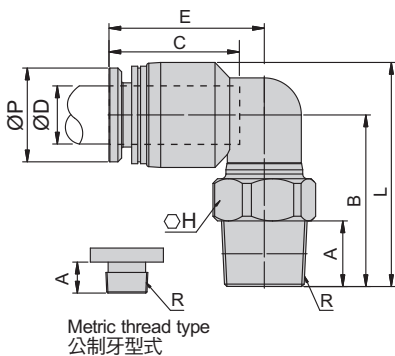
彎頭型
Elbow

\$P04

3D
CAD

2D
CAD

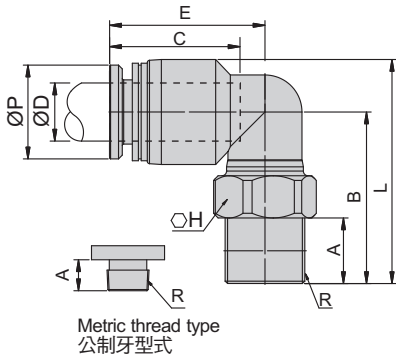
單位(Unit): m/m



Model 型式	Tube dia. 管外徑	A	B	L	ØP	C	E	H	R	Mass(g) 重量	Orifice 流量孔徑
PL3-M3-NI-W	3	3	15.2	19.5	8	12.7	15	8	M3x0.5	3.8	1.1
PL3-M5-NI-W		3.2	13.3	17.2		8	14.5	8	M5x0.8	3.8	2
PL3-M6-NI-W		4	16.2	20.5		12.7	15	10	M6x1.0	5.6	2
PL4-M3-NI-W	4	3.5	13.6	17	8	13.6	15	8	M3x0.5	3.9	1.1
PL4-M5-NI-W		4	13.3	17		13.6	15	8	M5x0.8	4.1	2
PL4-M6-NI-W		4	16.2	20.5		13.6	15	10	M6x1.0	5	2.5
PL4-01-NI-W		9.6	20	24		13.6	15	10	PT1/8	7.3	4
PL4-02-NI-W		7	17.2	21		13.6	15	14	PT1/4	16.1	4
PL6-M5-NI-W	6	4	14.1	19	10	13.7	15.7	8	M5x0.8	4.8	2
PL6-M6-NI-W		6.8	15.7	20.6		13.7	15.6	10	M6x1.0	6.2	2.5
PL6-01-NI-W		7	18.3	23		13.7	15.6	10	PT1/8	8.2	4
PL6-02-NI-W		9.4	21.1	26		13.9	15.2	14	PT1/4	17	4
PL6-03-NI-W	9.8	21.2	26	13.9	15.6	17	PT3/8	20.4	4		
PL8-01-NI-W	8	7	21.5	28	13.6	20.1	22.1	10	PT1/8	12.1	5.4
PL8-02-NI-W		9.5	22	28.5		19.9	22	14	PT1/4	18.3	5.4
PL8-03-NI-W		9.3	22.3	29		20	22	17	PT3/8	22.9	5.4
PL8-04-NI-W		11.8	25.2	31.5		20	21.8	21	PT1/2	36.1	5.4
PL10-01-NI-W	10	6.9	23	31	16.7	24.2	27.2	10	PT1/8	20.8	5
PL10-02-NI-W		9.6	25.2	33		24	27.1	14	PT1/4	22.2	5
PL10-03-NI-W		9.4	24.9	33		24.1	27.1	17	PT3/8	27.4	5
PL10-04-NI-W		12	27	35		24.2	27	21	PT1/2	38.6	5
PL12-02-NI-W	12	12	23.2	32.5	19.6	24.6	27.7	14	PT1/4	28.8	5
PL12-03-NI-W		9.6	26.6	35		24.8	28.4	17	PT3/8	34	8
PL12-04-NI-W		9.6	26	35		24.9	28.3	21	PT1/2	45.2	8

PL
G 彎頭型
Elbow

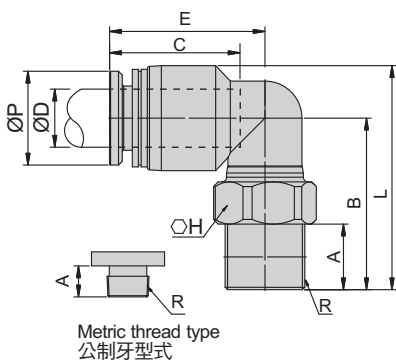
\$P04 3D CAD 2D CAD 單位(Unit): m/m



Model 型式	Tube dia. 管外徑	A	B	L	ØP	C	E	H	R	Mass(g) 重量	Orifice 流量孔徑
PL4-M3-W	4	3	13.6	17	8	13.7	15.5	8	M3x0.5	3	1.1
PL4-M5-W		4	13.3	17		13.7	15.5	8	M5x0.8	3.2	2
PL4-M6-W		4	16.2	20.5		13.7	15.5	10	M6x1.0	4.6	2.5
PL4-01G-W		7.5	17.5	21.8		13.2	15.5	10	G1/8	6.4	4
PL4-02G-W		8.5	19	23.3		13.2	15.5	14	G1/4	14	4
PL4-03G-W		8.5	19.5	23.3		13.2	15.5	17	G3/8	20	4
PL6-M5-W	6	4	14.1	19	10	13.8	16.2	8	M5x0.8	4	2
PL6-M6-W		4	15.7	20.6		13.8	16.5	10	M6x1.0	5.4	2.5
PL6-01G-W		7.5	18.8	24.4		13.9	16.5	10	G1/8	7.4	4
PL6-02G-W		8.5	20.1	25		13.9	17.2	14	G1/4	6.2	4
PL6-03G-W		8.5	20.2	25		13.9	17.2	17	G3/8	18.4	4
PL8-01G-W	8	7.5	22.1	29	13.6	15.6	23.3	10	G1/8	9.8	5.4
PL8-02G-W		8.5	20.6	29		15.6	23.3	14	G1/4	14.8	5.4
PL8-03G-W		8.5	21.3	29		15.6	23.3	17	G3/8	19.4	5.4
PL8-04G-W		10	23.3	30		15.6	23.3	21	G1/2	30.4	5.4
PL10-02G-W	10	10	25.1	34.1	16.7	21.3	27.9	14	G1/4	17.6	5
PL10-03G-W		8.5	23.7	32.7		21.3	27.9	17	G3/8	24	5
PL10-04G-W		10	25.1	34.1		21.3	27.9	21	G1/2	31.8	5
PL12-02G-W	12	10	29.7	37.1	19.6	23.5	29.7	14	G1/4	20.6	5
PL12-03G-W		8.5	25.5	35.7		23.5	29.7	17	G3/8	27	8
PL12-04G-W		10	26.9	37.2		23.5	29.7	21	G1/2	34.8	8

PL
G+NI 彎頭型
Elbow

\$P04 3D CAD 2D CAD 單位(Unit): m/m



Model 型式	Tube dia. 管外徑	A	B	L	ØP	C	E	H	R	Mass(g) 重量	Orifice 流量孔徑
PL3-M3-NI-W	3	3	15.2	19.5	8	12.7	15	8	M3x0.5	3.8	1.1
PL3-M5-NI-W		3.2	13.3	17.2		8	14.5	8	M5x0.8	3.8	2
PL3-M6-NI-W		4	16.2	20.5		12.7	15	10	M6x1.0	5.6	2
PL4-M3-NI-W	4	3.5	13.6	17	8	13.6	15	8	M3x0.5	3.9	1.1
PL4-M5-NI-W		4	13.3	17		13.6	15	8	M5x0.8	4.1	2
PL4-M6-NI-W		4	16.2	20.5		13.6	15	10	M6x1.0	5	2.5
PL4-01G-NI-W		7.5	17.5	21.8		12.9	15.2	10	G1/8	7.3	4
PL4-02G-NI-W		8.5	19	23.3		12.9	15.2	14	G1/4	14.9	4
PL4-03G-NI-W		8.5	19.5	23.3		12.9	15.2	17	G3/8	20.9	4
PL6-M5-NI-W	6	4	14.1	19	10	13.7	15.7	8	M5x0.8	4.8	2
PL6-M6-NI-W		6.8	15.7	20.6		13.7	15.6	10	M6x1.0	6.2	2.5
PL6-01G-NI-W		7.5	18.8	23		13.8	17.2	10	G1/8	8.2	4
PL6-02G-NI-W		8.5	20.1	25		13.8	17.2	14	G1/4	7	4
PL6-03G-NI-W	8.5	20.2	25	13.8	17.2	17	G3/8	19.2	4		
PL8-01G-NI-W	8	7.5	22.1	29	13.6	15.6	23.3	10	G1/8	12.1	5.4
PL8-02G-NI-W		8.5	20.6	29		15.6	23.3	14	G1/4	17.1	5.4
PL8-03G-NI-W		8.5	21.3	29		15.6	23.3	17	G3/8	21.7	5.4
PL8-04G-NI-W		10	23.3	30		15.6	23.3	21	G1/2	32.7	5.4
PL10-02G-NI-W	10	10	25.1	34.1	16.7	19.8	26.9	14	G1/4	21.4	5
PL10-03G-NI-W		8.5	23.7	32.7		19.8	26.9	17	G3/8	27.8	5
PL10-04G-NI-W		10	25.1	34.1		19.8	26.9	21	G1/2	35.6	5
PL12-02G-NI-W	12	10	29.7	37.1	19.6	22	28.2	14	G1/4	28	5
PL12-03G-NI-W		8.5	25.5	35.7		22	28.2	17	G3/8	34.4	8
PL12-04G-NI-W		10	26.9	37.2		22	28.2	21	G1/2	42.2	8

備註 Note G: 管用直牙 (PF直牙) G: BSPP Thread
NI: 金屬脫離環 NI: Release Ring (Metallic Body)