

標準接頭 (黑) Tube Fitting (Black)

PLF_G

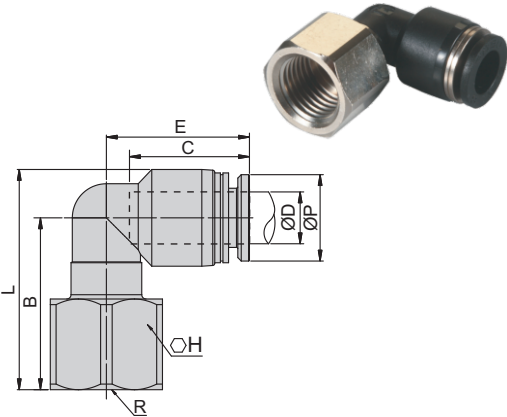
內牙彎頭型
Female Elbow

FP02

3D
CAD

2D
CAD

單位(Unit): m/m



Model 型式	Tube dia. ØD 管外徑	A	B	L	ØP	C	E	H	R	Orifice 流量孔徑
PLF4-M5	4	4	13.8	18	8	13.7	15.5	8	M5X0.8	4
PLF4-01G		9.6	18.6	22.9		13.7	15.5	13	G1/8	4
PLF4-02G		7	21.1	25.4		13.7	15.5	17	G1/4	4
PLF6-M5	6	4	15	20.6	10	13.8	16.2	8	M5X0.8	4
PLF6-01G		7	19.9	25.5		13.9	16.5	13	G1/8	4
PLF6-02G		9.4	22.4	28		14	15.7	17	G1/4	4
PLF8-01G	8	7	21.4	28.8	13.6	20.2	22.6	13	G1/8	5.4
PLF8-02G		9.5	23.9	31.3		20	22.5	17	G1/4	5.4
PLF8-03G		9.3	23.9	31.3		20.1	22.5	21	G3/8	5.4
PLF10-02G	10	9.6	25.6	34.6	16.7	24.1	27.6	17	G1/4	9.8
PLF10-03G		9.4	25.6	34.6		24.2	27.6	21	G3/8	9.8
PLF10-04G		12	29.6	38.6		24.3	27.5	24	G1/2	9.8
PLF12-02G	12	12	27.4	37.6	19.6	24.7	28.2	17	G1/4	9.2
PLF12-03G		9.6	27.4	37.6		24.9	28.9	21	G3/8	9.2
PLF12-04G		9.6	31.4	41.6		25	28.8	24	G1/2	9.2

PLF_{G+NI}

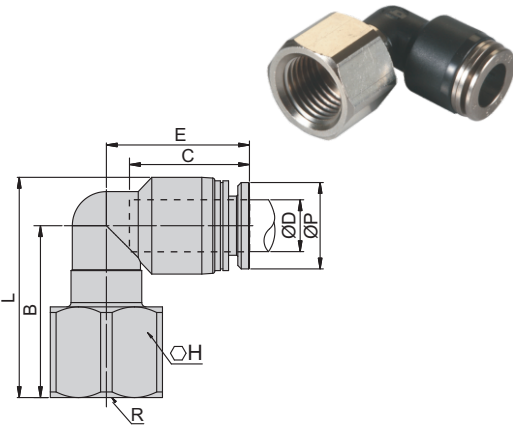
內牙彎頭型
Female Elbow

\$P02

3D
CAD

2D
CAD

單位(Unit): m/m



Model 型式	Tube dia. ØD 管外徑	A	B	L	ØP	C	E	H	R	Orifice 流量孔徑
PLF4-M5-NI	4	4	13.8	18	8	13.4	15.2	8	M5X0.8	4
PLF4-01G-NI		9.6	18.6	22.9		13.4	15.2	13	G1/8	4
PLF4-02G-NI		7	21.1	25.4		13.4	15.2	17	G1/4	4
PLF6-M5-NI	6	4	15	20.6	10	13.3	15.7	8	M5X0.8	4
PLF6-01G-NI		7	19.9	25.5		13.4	16	13	G1/8	4
PLF6-02G-NI		9.4	22.4	28		13.5	15.2	17	G1/4	4
PLF8-01G-NI	8	7	21.4	28.8	13.6	19.2	21.6	13	G1/8	5.4
PLF8-02G-NI		9.5	23.9	31.3		19	21.5	17	G1/4	5.4
PLF8-03G-NI		9.3	23.9	31.3		19.1	21.5	21	G3/8	5.4
PLF10-02G-NI	10	9.6	25.6	34.6	16.7	23.1	26.6	17	G1/4	9.8
PLF10-03G-NI		9.4	25.6	34.6		23.2	26.6	21	G3/8	9.8
PLF10-04G-NI		12	29.6	38.6		23.3	26.6	24	G1/2	9.8
PLF12-02G-NI	12	12	27.4	37.6	19.6	23.1	26.6	17	G1/4	9.2
PLF12-03G-NI		9.6	27.4	37.6		23.3	27.3	21	G3/8	9.2
PLF12-04		9.6	31.4	41.6		2.4	27.2	24	G1/2	
G-NI						3				9.2

標準接頭 (白) Tube Fitting (Ivory)

PLF_G

內牙彎頭型
Female Elbow

PLF_{G+NI}

內牙彎頭型
Female Elbow

