

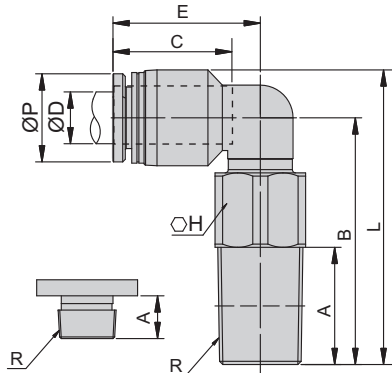
標準接頭 (黑) Tube Fitting (Black)

PLL 加長彎頭型
Long Elbow



\$P01 3D CAD 2D CAD 單位(Unit): m/m

Model 型式	Tube dia. ØD 管外徑	A	B	L	ØP	C	E	H	R	Orifice 流量孔徑
PLL4-M5	4	3.3	23.2	27.5	8	13.7	15.5	8	M5X0.8	2
PLL4-01		13.5	28.4	32.7		13.7	15.5	10	PT1/8	4
PLL4-02		16.1	31.6	35.9		13.7	15.5	14	PT1/4	4
PLL6-M5	6	3.3	24.5	30.1	10	13.8	16.2	8	M5X0.8	2
PLL6-01		13.5	29.7	35.3		13.9	16.5	10	PT1/8	4
PLL6-02		16.1	32.9	38.5		14	15.7	14	PT1/4	4
PLL8-01	8	14.5	37	44.4	13.6	20.2	22.6	10	PT1/8	5
PLL8-02		18.1	38.1	45.5		20	22.5	14	PT1/4	5
PLL8-03		16.6	37.6	45		20.1	22.5	17	PT3/8	5
PLL10-02	10	19.6	45.2	54.2	16.7	24.1	27.6	15	PT1/4	8
PLL10-03		19.6	45.3	54.3		24.2	27.6	17	PT3/8	9.8
PLL10-04		22	47.6	56.6		24.3	27.5	21	PT1/2	9.8
PLL12-02	12	19.6	47	57.3	19.7	24.8	28.9	15	PT1/4	8
PLL12-03		19.6	47.1	57.4		24.9	28.9	17	PT3/8	9.2
PLL12-04		22	49.4	59.6		25	28.8	21	PT1/2	9.2



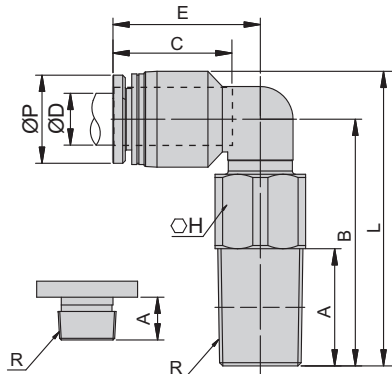
Metric thread type
公制牙型式

PLL NI 加長彎頭型
Long Elbow



\$P01 3D CAD 2D CAD 單位(Unit): m/m

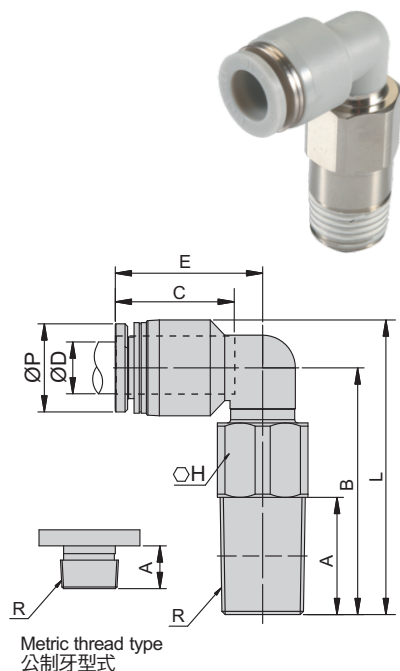
Model 型式	Tube dia. ØD 管外徑	A	B	L	ØP	C	E	H	R	Orifice 流量孔徑
PLL4-M5-NI	4	3.3	23.2	27.5	8	13.4	15.2	8	M5X0.8	2
PLL4-01-NI		13.5	28.4	32.7		13.4	15.2	10	PT1/8	4
PLL4-02-NI		16.1	31.6	35.9		13.4	15.2	14	PT1/4	4
PLL6-M5-NI	6	3.3	24.5	30.1	10	13.3	16	8	M5X0.8	2
PLL6-01-NI		13.5	29.7	35.3		13.4	16	10	PT1/8	4
PLL6-02-NI		16.1	32.9	38.5		13.5	16	14	PT1/4	4
PLL8-01-NI	8	14.5	37	44.4	13.6	19.2	21.5	10	PT1/8	5
PLL8-02-NI		18.1	38.1	45.5		19	21.5	14	PT1/4	5
PLL8-03-NI		16.6	37.6	45		19.1	21.5	17	PT3/8	5
PLL10-02-NI	10	19.6	45.2	54.2	16.7	23.1	26.6	15	PT1/4	8
PLL10-03-NI		19.6	45.3	54.3		23.2	26.6	17	PT3/8	9.8
PLL10-04-NI		22	47.6	56.6		23.3	26.6	21	PT1/2	9.8
PLL12-02-NI	12	19.6	47	57.3	19.6	23.3	27.2	15	PT1/4	8
PLL12-03-NI		19.6	47.1	57.4		23.3	27.2	17	PT3/8	9.2
PLL12-04-NI		22	49.4	59.6		23.3	27.2	21	PT1/2	9.2



Metric thread type
公制牙型式

標準接頭 (白) Tube Fitting (Ivory)

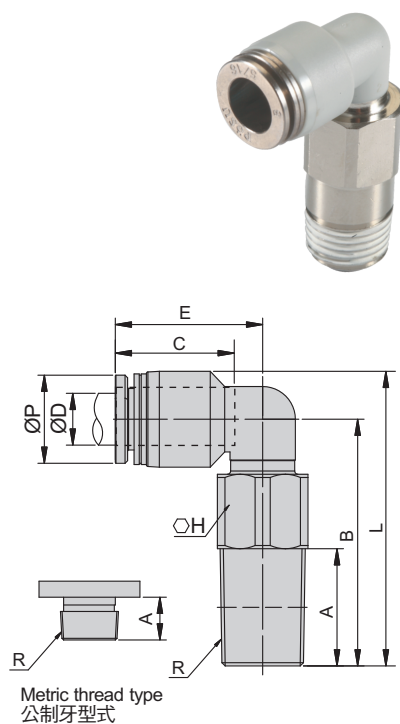
PLL 加長彎頭型
Long Elbow



\$ P.05 3D CAD 2D CAD 單位(Unit): m/m

Model 型式	Tube dia. ØD 管外徑	A	B	L	ØP	C	E	H	R	Orifice 流量孔徑
PLL4-M5-W	4	3.3	23.2	27.5	8	13.7	15.5	8	M5x0.8	2
PLL4-01-W		13.5	28.4	32.7		13.7	15.5	10	PT1/8	4
PLL4-02-W		16.1	31.6	35.9		13.7	15.5	14	PT1/4	4
PLL6-M5-W	6	3.3	24.5	30.1	10	13.8	16.2	8	M5x0.8	2
PLL6-01-W		13.5	29.7	35.3		13.9	16.5	10	PT1/8	4
PLL6-02-W		16.1	32.9	38.5		14	15.7	14	PT1/4	4
PLL8-01-W	8	14.5	37	44.4	13.6	20.2	22.6	10	PT1/8	5
PLL8-02-W		18.1	38.1	45.5		20	22.5	14	PT1/4	5
PLL8-03-W		16.6	37.6	45		20.1	22.5	17	PT3/8	5
PLL10-02-W	10	19.6	45.2	54.2	16.7	24.1	27.6	15	PT1/4	8
PLL10-03-W		19.6	45.3	54.3		24.2	27.6	17	PT3/8	9.8
PLL10-04-W		22	47.6	56.6		24.3	27.5	21	PT1/2	9.8
PLL12-02-W	12	19.6	47	57.3	19.6	24.8	28.9	15	PT1/4	8
PLL12-03-W		19.6	47.1	57.4		24.9	28.9	17	PT3/8	9.2
PLL12-04-W		22	49.4	59.6		25	28.9	21	PT1/2	9.2

PLL NI 加長彎頭型
Long Elbow



\$ P.05 3D CAD 2D CAD 單位(Unit): m/m

Model 型式	Tube dia. ØD 管外徑	A	B	L	ØP	C	E	H	R	Orifice 流量孔徑
PLL4-M5-NI-W	4	3.3	23.2	27.5	8	13.4	15.2	8	M5x0.8	2
PLL4-01-NI-W		13.5	28.4	32.7		13.4	15.2	10	PT1/8	4
PLL4-02-NI-W		16.1	31.6	35.9		13.4	15.2	14	PT1/4	4
PLL6-M5-NI-W	6	3.3	24.5	30.1	10	13.3	16	8	M5x0.8	2
PLL6-01-NI-W		13.5	29.7	35.3		13.4	16	10	PT1/8	4
PLL6-02-NI-W		16.1	32.9	38.5		13.5	16	14	PT1/4	4
PLL8-01-NI-W	8	14.5	37	44.4	13.6	19.2	21.5	10	PT1/8	5
PLL8-02-NI-W		18.1	38.1	45.5		19	21.5	14	PT1/4	5
PLL8-03-NI-W		16.6	37.6	45		19.1	21.5	17	PT3/8	5
PLL10-02-NI-W	10	19.6	45.2	54.2	16.7	23.1	26.6	15	PT1/4	8
PLL10-03-NI-W		19.6	45.3	54.3		23.2	26.6	17	PT3/8	9.8
PLL10-04-NI-W		22	47.6	56.6		23.3	26.6	21	PT1/2	9.8
PLL12-02-NI-W	12	19.6	47	57.3	19.6	23.3	27.2	15	PT1/4	8
PLL12-03-NI-W		19.6	47.1	57.4		23.3	27.2	17	PT3/8	9.2
PLL12-04-NI-W		22	49.4	59.6		23.3	27.2	21	PT1/2	9.2