

標準接頭 (黑) Tube Fitting (Black)

POL

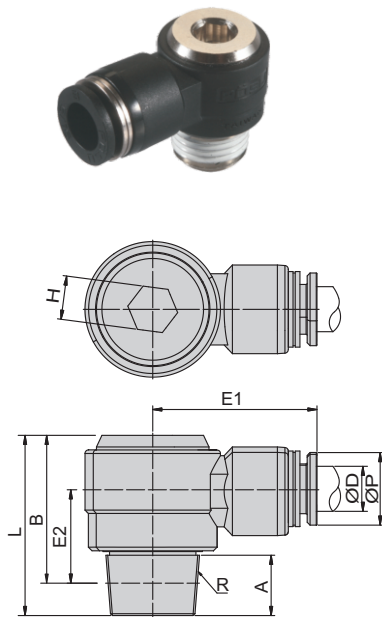
內六角通用彎頭型
Hex. Holed Universal Elbow

\$ P.02

3D CAD

2D CAD

單位(Unit): m/m



Model 型式	Tube dia. 管外徑	ØP	A	R	B	L	H	E1	E2	Mass(g) 重量	Orifice 流量孔徑
POL4-01	4	8	6	PT1/8	18	21	5	20.4	10.6	11.6	3
POL4-02			8.9	PT1/4	20.3	24.8	6	22.4	12.9	20.4	4
POL6-01	6	10	6	PT1/8	18	21	5	20.6	10.6	10.4	3
POL6-02			8.9	PT1/4	20.3	24.8	6	22.6	12.9	19.4	4
POL6-03			8.7	PT3/8	24	30.5	8	24.1	14.8	33.6	5
POL8-01	8	13.6	6	PT1/8	17.9	21	5	25.4	10.6	12.2	3
POL8-02			8.9	PT1/4	20.3	24.8	6	27.4	12.4	21.4	4
POL8-03			10	PT3/8	25.4	30.5	8	29.7	15.2	35.6	5
POL8-04			13.2	PT1/2	31	37.5	10	33.4	17.6	50	7
POL10-02	10	16.7	8.9	PT1/4	20.3	24.8	6	31.6	12.6	24.2	4
POL10-03			10.2	PT3/8	25.3	30.5	8	32	15.1	38.2	5
POL10-04			13.2	PT1/2	30.9	37.5	10	33.4	17.6	57	7
POL12-03	12	19.6	10.1	PT3/8	25.4	30.5	8	34	14.8	59.8	5
POL12-04			12.9	PT1/2	31	37.5	10	36.5	18.3	62.6	7

POL
NI

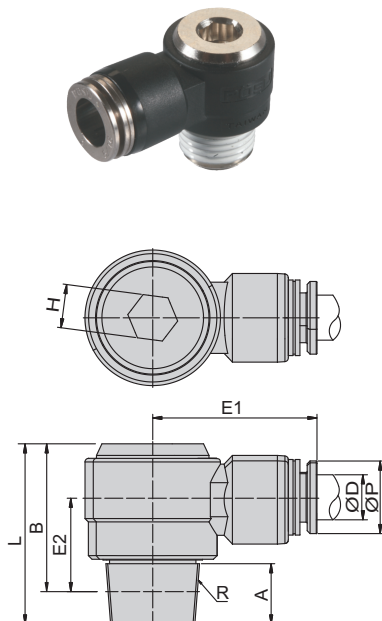
內六角通用彎頭型
Hex. Holed Universal Elbow

\$ P.02

3D CAD

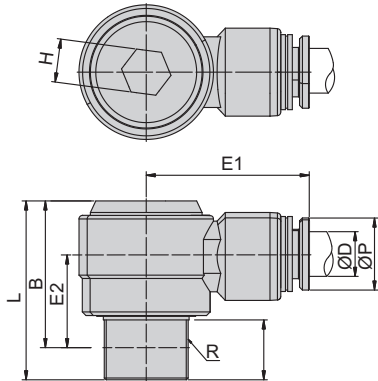
2D CAD

單位(Unit): m/m



Model 型式	Tube dia. 管外徑	ØP	A	R	B	L	H	E1	E2	Mass(g) 重量	Orifice 流量孔徑
POL4-01-NI	4	8	6	PT1/8	18	21	5	20.1	10.6	12	3
POL4-02-NI			8.9	PT1/4	20.3	24.8	6	22.1	12.9	21	4
POL6-01-NI	6	10	6	PT1/8	18	21	5	20.2	10.6	11.2	3
POL6-02-NI			8.9	PT1/4	20.3	24.8	6	22.2	12.9	20.2	4
POL6-03-NI			8.7	PT3/8	24	30.5	8	24	14.8	34.4	5
POL8-01-NI	8	13.6	6	PT1/8	17.9	21	5	24.4	10.6	14.5	3
POL8-02-NI			8.9	PT1/4	20.3	24.8	6	26.4	12.4	23.7	4
POL8-03-NI			10	PT3/8	25.4	30.5	8	28.7	15.2	37.9	5
POL8-04-NI			13.2	PT1/2	31	37.5	10	33.4	17.6	50	7
POL10-02-NI	10	16.7	8.9	PT1/4	20.3	24.8	6	30.6	12.6	28	4
POL10-03-NI			10.2	PT3/8	25.3	30.5	8	31	15.1	42	5
POL10-04-NI			13.2	PT1/2	30.9	37.5	10	32.5	17.6	60.8	7
POL12-03-NI	12	19.6	10.1	PT3/8	25.4	30.5	8	33.1	14.8	67.2	5
POL12-04-NI			12.9	PT1/2	31	37.5	10	35.5	18.3	70	7

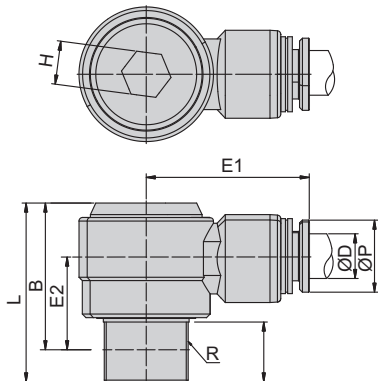
POL G 內六角通用彎頭型
Hex. Holed Universal Elbow



\$ P02 3D CAD 2D CAD 單位(Unit): m/m

Model 型式	Tube dia. ØD 管外徑	ØP	A	R	B	L	H	E1	E2	Mass(g) 重量
POL4-01G	4	8	5	G1/8	19.4	21.9	5	20.4	12	11.6
POL4-02G			7.1	G1/4	21.4	25	6	22.4	14	20
POL6-01G	6	10	7	G1/8	18.5	21.9	5	20.6	11	10.6
POL6-02G			9.1	G1/4	20.4	25	6	22.6	13	19.2
POL6-03G			10	G3/8	25.4	30.5	8	23.4	13.2	32.4
POL8-01G	8	13.6	7	G1/8	18.4	21.9	5	25.4	11.1	12.4
POL8-02G			9.1	G1/4	20.4	25	6	27.4	12.5	21.2
POL8-03G			10	G3/8	25.4	30.5	8	29.7	15.2	34.3
POL8-04G			13.2	G1/2	31	37.5	10	33.4	17.6	50
POL10-02G	10	16.7	9.1	G1/4	20.4	25	6	31.6	12.7	24
POL10-03G			10.2	G3/8	25.3	30.5	8	32	15.1	37
POL10-04G			11.2	G1/2	29.9	35.5	10	33.4	16.6	54.4
POL12-03G	12	19.6	10.1	G3/8	25.4	30.5	8	34	14.8	58.6
POL12-04G			10.9	G1/2	30	35.5	10	36.5	17.3	60

POL G+NI 內六角通用彎頭型
Hex. Holed Universal Elbow



\$ P02 3D CAD 2D CAD 單位(Unit): m/m

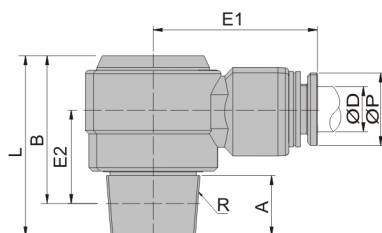
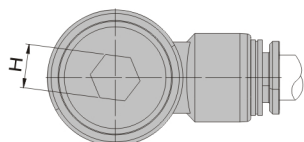
Model 型式	Tube dia. ØD 管外徑	ØP	A	R	B	L	H	E1	E2	Mass(g) 重量
POL4-01G-NI	4	8	5	G1/8	19.4	21.9	5	20.1	12	12.2
POL4-02G-NI			7.1	G1/4	21.4	25	6	22.1	14	20.6
POL6-01G-NI	6	10	7	G1/8	18.5	21.9	5	20.2	11	11.4
POL6-02G-NI			9.1	G1/4	20.4	25	6	22.2	13	20
POL6-03G-NI			10	G3/8	25.4	30.5	8	23.1	13.2	33.2
POL8-01G-NI	8	13.6	7	G1/8	18.4	21.9	5	24.4	11.1	14.7
POL8-02G-NI			9.1	G1/4	20.4	25	6	26.4	12.5	23.5
POL8-03G-NI			10	G3/8	25.4	30.5	8	28.7	15.2	36.7
POL8-04G-NI			13.2	G1/2	31	37.5	10	33.4	17.6	50
POL10-02G-NI	10	16.7	9.1	G1/4	20.4	25	6	30.6	12.7	27.6
POL10-03G-NI			10.2	G3/8	25.3	30.5	8	31	15.1	40.8
POL10-04G-NI			11.2	G1/2	29.9	35.5	10	32.5	16.6	58.2
POL12-03G-NI	12	19.6	10.1	G3/8	25.4	30.5	8	33.1	14.8	66
POL12-04G-NI			10.9	G1/2	30	35.5	10	35.5	17.3	67.4

備註 Note G: 管用直牙 (PF直牙) G: BSPP Thread
NI: 金屬脫離環 NI: Release Ring (Metallic Body)

標準接頭 (白) Tube Fitting (Ivory)

POL

內六角通用彎頭型
Hex. Holed Universal Elbow



\$P05

3D
CAD

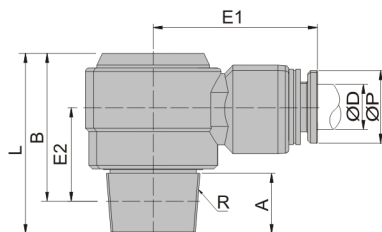
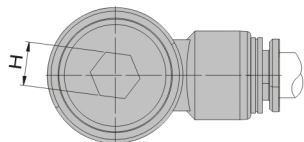
2D
CAD

單位(Unit): m/m

Model 型式	Tube dia. ØD 管外徑	ØP	A	R	B	L	H	E1	E2	Mass(g) 重量	Orifice 流量孔徑
POL4-01-W	4	8	6	PT1/8	18	21	5	20.4	10.6	11.6	3
POL4-02-W			8.9	PT1/4	20.3	24.8	6	22.4	12.9	20.4	4
POL6-01-W	6	10	6	PT1/8	18	21	5	20.6	10.6	10.4	3
POL6-02-W			8.9	PT1/4	20.3	24.8	6	22.6	12.9	19.4	4
POL6-03-W			8.7	PT3/8	24	30.5	8	24.1	14.8	33.6	5
POL8-01-W	8	13.6	6	PT1/8	17.9	21	5	25.4	10.6	12.2	3
POL8-02-W			8.9	PT1/4	20.3	24.8	6	27.4	12.4	21.4	4
POL8-03-W			10	PT3/8	25.4	30.5	8	29.7	15.2	35.6	5
POL8-04-W			13.2	PT1/2	30.9	37.5	10	33.4	17.6	50	7
POL10-02-W	10	16.7	8.9	PT1/4	20.3	24.8	6	31.6	12.6	24.2	4
POL10-03-W			10.2	PT3/8	25.3	30.5	8	32	15.1	38.2	5
POL10-04-W			13.2	PT1/2	30.9	37.5	10	33.4	17.6	57	7
POL12-03-W	12	19.6	10.1	PT3/8	25.4	30.5	8	34	14.8	59.8	5
POL12-04-W			12.9	PT1/2	31	37.5	10	36.5	18.3	62.6	7

POL
NI

內六角通用彎頭型
Hex. Holed Universal Elbow



\$P05

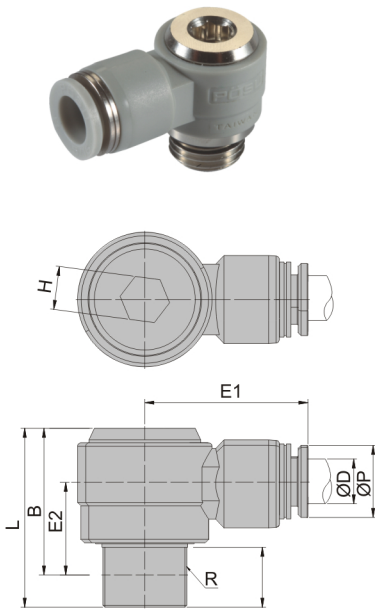
3D
CAD

2D
CAD

單位(Unit): m/m

Model 型式	Tube dia. ØD 管外徑	ØP	A	R	B	L	H	E1	E2	Mass(g) 重量	Orifice 流量孔徑
POL4-01-NI-W	4	8	6	PT1/8	18	21	5	20.1	10.6	12	3
POL4-02-NI-W			8.9	PT1/4	20.3	24.8	6	22.1	12.9	21	4
POL6-01-NI-W	6	10	6	PT1/8	18	21	5	20.2	10.6	11.2	3
POL6-02-NI-W			8.9	PT1/4	20.3	24.8	6	22.2	12.9	20.2	4
POL6-03-NI-W			8.7	PT3/8	24	30.5	8	24	14.8	34.4	5
POL8-01-NI-W	8	13.6	6	PT1/8	17.9	21	5	24.4	10.6	14.5	3
POL8-02-NI-W			8.9	PT1/4	20.3	24.8	6	26.4	12.4	23.7	4
POL8-03-NI-W			10	PT3/8	25.4	30.5	8	28.7	15.2	37.9	5
POL8-04-NI-W			13.2	PT1/2	30.9	37.5	10	33.4	17.6	50	7
POL10-02-NI-W	10	16.7	8.9	PT1/4	20.3	24.8	6	30.6	12.6	28	4
POL10-03-NI-W			10.2	PT3/8	25.3	30.5	8	31	15.1	42	5
POL10-04-NI-W			13.2	PT1/2	30.9	37.5	10	32.5	17.6	60.8	7
POL12-03-NI-W	12	19.6	10.1	PT3/8	25.4	30.5	8	33.1	14.8	67.2	5
POL12-04-NI-W			12.9	PT1/2	31	37.5	10	35.5	18.3	70	7

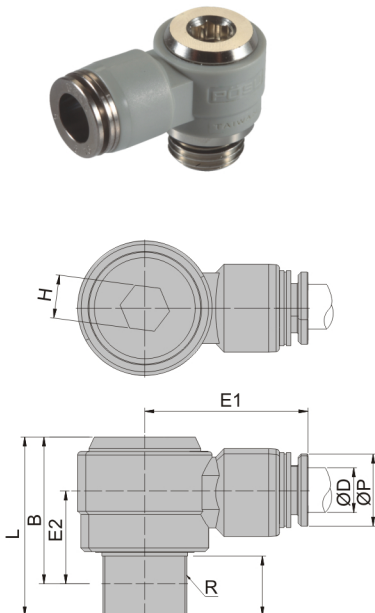
POL_G 內六角通用彎頭型
Hex. Holed Universal Elbow



\$ P05 3D CAD 2D CAD 單位(Unit): m/m

Model 型式	Tube dia. ØD 管外徑	ØP	A	R	B	L	H	E1	E2	Mass(g) 重量	Orifice 流量孔徑
POL4-01G-W	4	8	5	G1/8	19.4	21.9	5	20.4	12	11.6	3
POL4-02G-W			7.1	G1/4	21.4	25	6	22.4	14	20	4
POL6-01G-W	6	10	7	G1/8	18.5	21.9	5	20.6	11	10.6	3
POL6-02G-W			9.1	G1/4	20.4	25	6	22.6	13	19.2	4
POL6-03G-W			10	G3/8	25.4	30.5	8	24.1	13.2	32.4	5
POL8-01G-W	8	13.6	7	G1/8	18.4	21.9	5	25.4	11.1	12.4	3
POL8-02G-W			9.1	G1/4	20.4	25	6	27.4	12.5	21.2	4
POL8-03G-W			10	G3/8	25.4	30.5	8	29.7	15.2	34.3	5
POL8-04G-W			13.2	G1/2	30.9	37.5	10	33.4	17.6	50	7
POL10-02G-W	10	16.7	9.1	G1/4	20.4	25	6	31.6	12.7	24	4
POL10-03G-W			10.2	G3/8	25.3	30.5	8	32	15.1	37	5
POL10-04G-W			11.2	G1/2	29.9	35.5	10	33.4	16.6	54.4	7
POL12-03G-W	12	19.6	10.1	G3/8	25.4	30.5	8	34	14.8	58.5	5
POL12-04G-W			10.9	G1/2	30	35.5	10	36.5	17.3	60	7

POL_{G+NI} 內六角通用彎頭型
Hex. Holed Universal Elbow



\$ P05 3D CAD 2D CAD 單位(Unit): m/m

Model 型式	Tube dia. ØD 管外徑	ØP	A	R	B	L	H	E1	E2	Mass(g) 重量	Orifice 流量孔徑
POL4-01G-NI-W	4	8	5	G1/8	19.4	21.9	5	20.1	12	21.2	3
POL4-02G-NI-W			7.1	G1/4	21.4	25	6	22.1	14	20.6	4
POL6-01G-NI-W	6	10	7	G1/8	18.5	21.9	5	20.2	11	11.4	3
POL6-02G-NI-W			9.1	G1/4	20.4	25	6	22.2	13	20	4
POL6-03G-NI-W			10	G3/8	25.4	30.5	8	24	13.2	33.2	5
POL8-01G-NI-W	8	13.6	7	G1/8	18.4	21.9	5	24.4	11.1	14.7	3
POL8-02G-NI-W			9.1	G1/4	20.4	25	6	26.4	12.5	23.5	4
POL8-03G-NI-W			10	G3/8	25.4	30.5	8	28.7	15.2	36.7	5
POL8-04G-NI-W			13.2	G1/2	30.9	37.5	10	33.4	17.6	50	7
POL10-02G-NI-W	10	16.7	9.1	G1/4	20.4	25	6	30.6	12.7	27.6	4
POL10-03G-NI-W			10.2	G3/8	25.3	30.5	8	31	15.1	40.8	5
POL10-04G-NI-W			11.2	G1/2	29.9	35.5	10	32.5	16.6	58.2	7
POL12-03G-NI-W	12	19.6	10.1	G3/8	25.4	30.5	8	33.1	14.8	66	5
POL12-04G-NI-W			10.9	G1/2	30	35.5	10	35.5	17.3	67.4	7

備註 Note G: 管用直牙 (PF直牙) G: BSPP Thread
NI: 金屬脫離環 NI: Release Ring (Metallic Body)