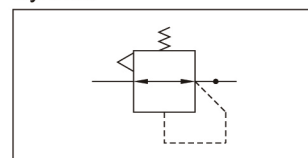




Symbol



### 規格表 Specifications

型式 Type	PRP3000-02	PRP3000-03
接管口徑 Port size (G)	1/4"	3/8"
壓力錶接管口徑 Port size for pressure gauge (G)	1/8"	
使用流體 Fluid	空氣 Air	
保證耐壓力 Proof pressure (kgf/cm <sup>2</sup> )	12	
最大使用壓力 Max. operating pressure (kgf/cm <sup>2</sup> )	8	
調壓範圍 Regulating range (kgf/cm <sup>2</sup> )	0.05 ~ 6	
設定感度 Setting sensitivity (kgf/cm <sup>2</sup> )	0.01	
空氣消耗量 Air consumption (ℓ/min)	4 ~ 6 (3 kgf/cm <sup>2</sup> 設定時)	
環境和介質溫度 Ambient and media temperature (°C)	-5 ~ 60(無凍結狀態)With no freezing	
重量 Weight (kg)	0.4	

### 選配零件／附屬裝置 Accessory (Optional) / Attachment

名稱 Name	型式 Type	零件型式 Part No.	參考頁數
		PRP3000	Reference Page
安裝架 (Bracket)		W423	A-35
壓力錶 Pressure gauge	10 kgf/cm <sup>2</sup>	圓形 Round	A-36
		方形 Square	A-36
	4 kgf/cm <sup>2</sup>	圓形 Round	A-36

### 訂購代號 Order No.

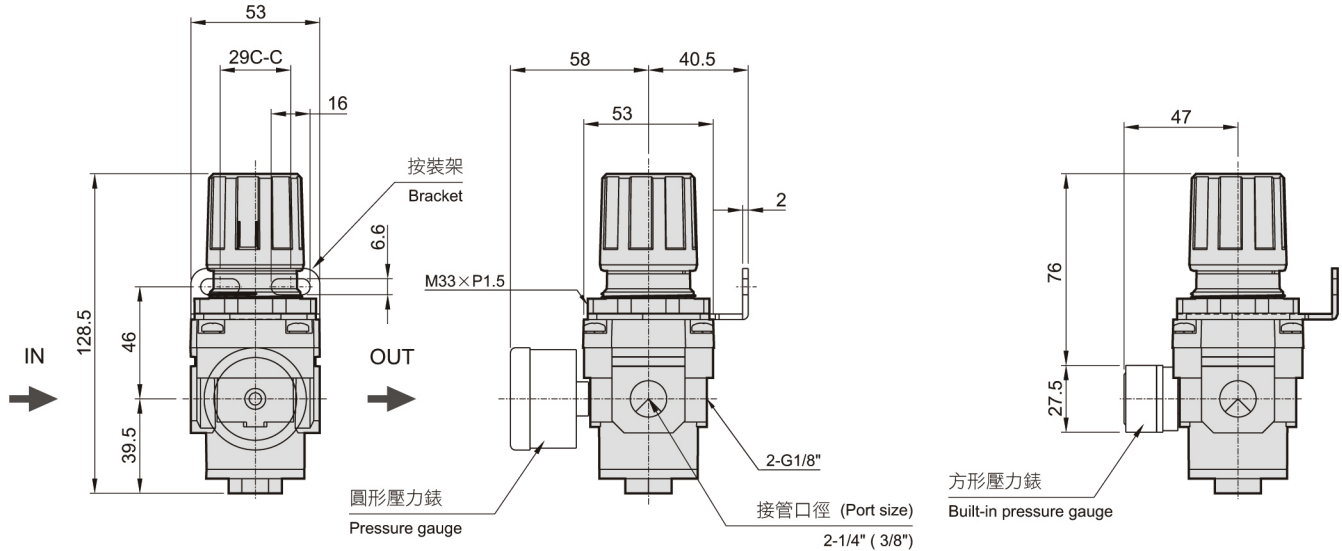
**PRP 3000 - 03 K W**

- PRP 3000**: 精密調壓閥 Direct operated precision regulator
- 03**: 型式 Type
- 02**: 接管口徑 Port size 1/4"
- 03**: 接管口徑 Port size 3/8"
- K**: 壓力錶 Pressure gauge 圓形 Round
- GK**: 壓力錶 Pressure gauge 方形 Square
- 不附錶**: Without gauge
- W**: 安裝架 Bracket 附托架 With bracket
- 不附托架**: Without bracket

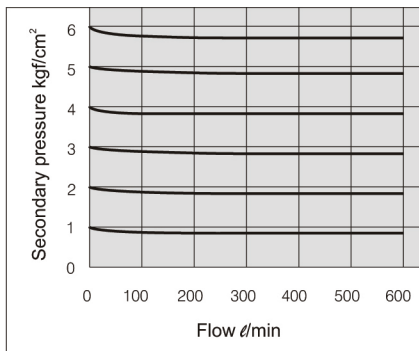
尺寸圖 Dimension

PRP3000-02

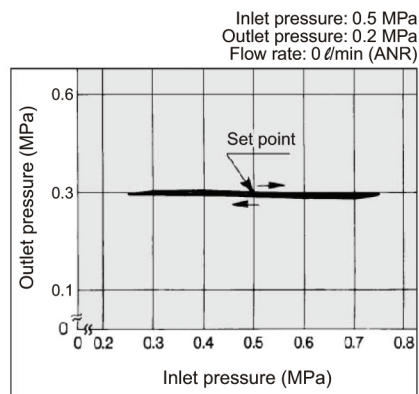
PRP3000-03



流量特性 Flow Characteristics



壓力特性 Pressure Characteristics



使用注意事項 Specific Product Precautions

安裝、調整

Mounting & Adjustment

警告

Warning

- ① 請確定一次側壓力與二次側之壓力計的表示壓力後，再進行設定。  
若旋轉旋鈕過度的話，則會造成內部零件破損。
- ② 操作調壓旋鈕時，由於使用工具會造成損壞，請採手動方式。

- ① Set the regulator while verifying the displayed values of the inlet and outlet pressure gauges. Turning the knob excessively can cause damage to the internal parts.
- ② Do not use tools on the pressure regulator knob as this may cause damage. It must be operated manually.

注意

Caution

- 壓力調整，須於旋鈕的定位解除後進行，而調整後，請再鎖定。  
若步驟錯誤的話，則可能導致旋鈕破損與二次側壓力改變。
- ① 請引出調壓旋鈕時，則定位解除。(調壓旋鈕下側的『橘色線』，可以目視確認。)
- ② 按下調壓旋鈕時，則鎖定。如果不易鎖定时，請左右旋轉，再按下。(『橘色的線』消失。)



- Be sure to unlock the knob before adjusting the pressure and lock it after setting the pressure.  
Failure to follow this procedure can cause damage to the knob and the outlet pressure may fluctuate.
- ① Pull the pressure regulator knob to unlock.  
(You can visually verify this with the "orange mark" that appears in the gap.)
- ② Push the pressure regulator knob to lock.  
When the knob is not easily locked, turn it left and right a little and then push it (when the knob is locked, the "orange mark", i.e., the gap will disappear).